

Article datasheet

Hexagon Nut UNC4-40 Yellow Galvanized Steel 4.8

Article-No.: 002.02.443

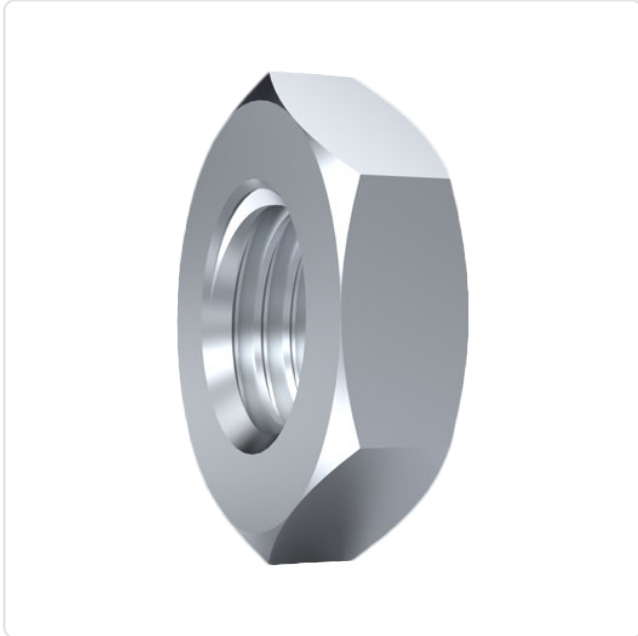
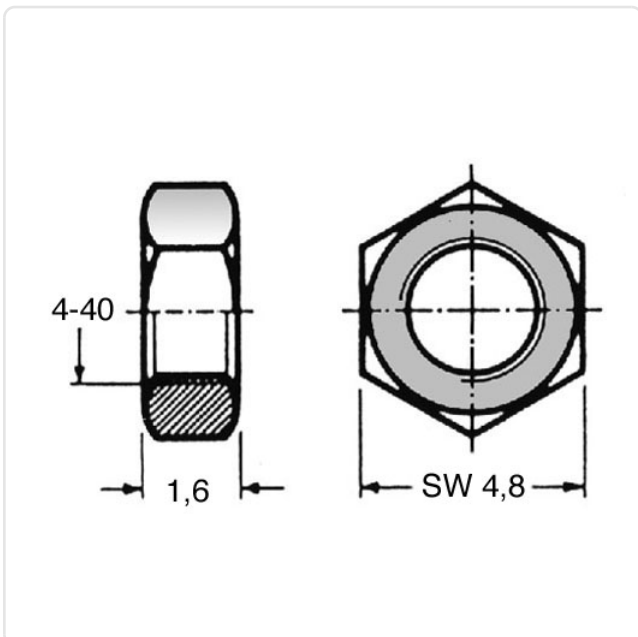


Image may be similar

AF / OD [mm]: 4.8
Finish: Galvanized, Yellow, 8 µm, A3G
Height [mm]: 1.6
Material: Steel 4.8
Material Group: Steel
Thread Size: UNC4-40
Weight: 0.15g
Conformities:



You can find all
information on the web on
our article detail page



Would you like individual advice?

We look forward to your email to products@ettinger.de.

Subject to change and errors.