

Article datasheet

Instrument Foot 34.0x18.0 Zinc Die Cast silver

Article-No.: 017.60.259

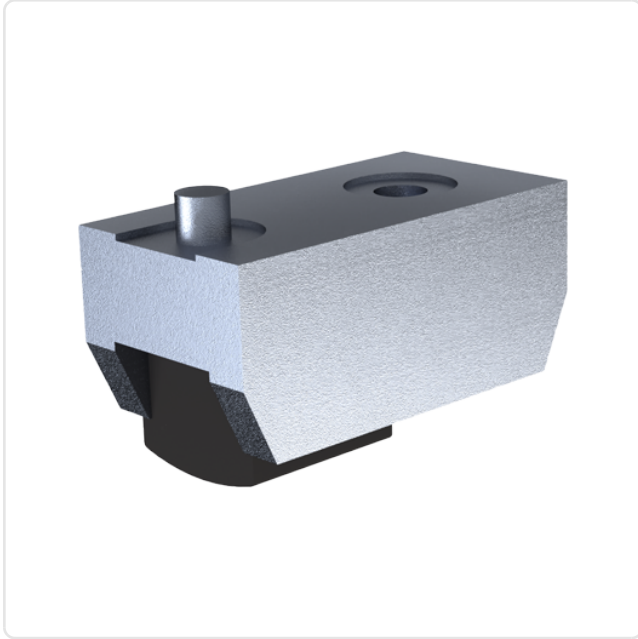
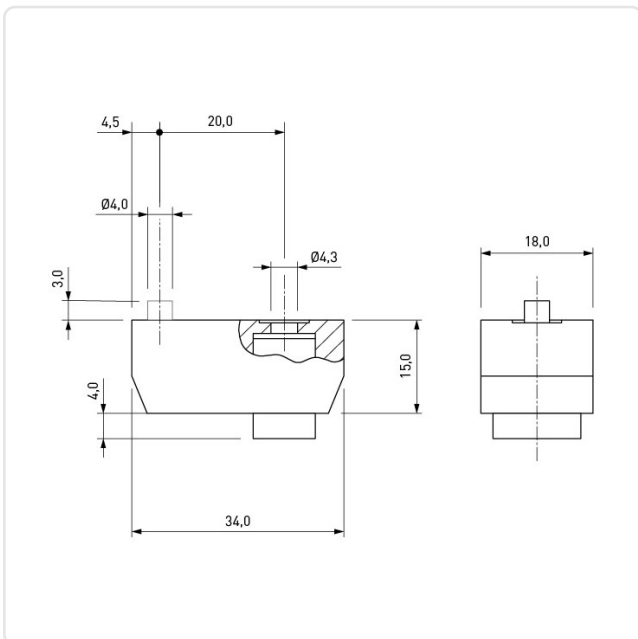


Image may be similar

Color: Silver
Length [mm]: 34
Material: Zinc Die Cast
Panel Hole Ø [mm]: 4.3
Width [mm]: 18
Weight: 33.5g
Conformities:



You can find all information on the web on our article detail page



Would you like individual advice?

We look forward to your email to products@ettinger.de.

Subject to change and errors.