

Article datasheet

Blade Terminal 6.3x0.8 | 19.0 Nickel-Plated Steel

Article-No.: 019.68.721

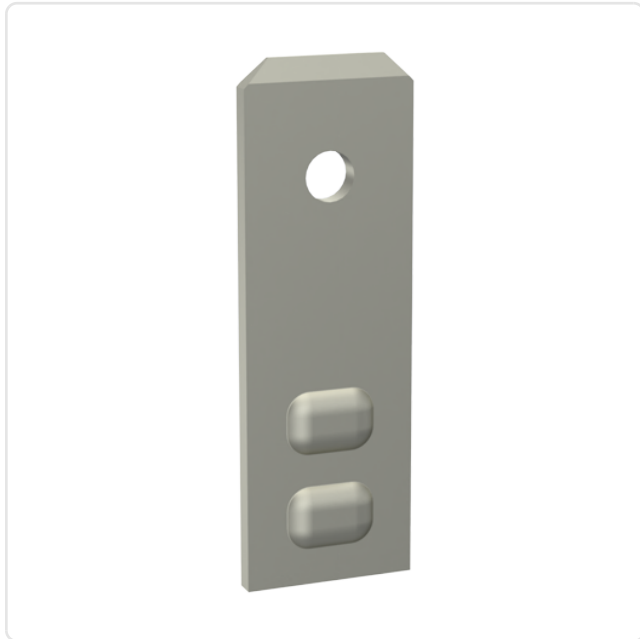


Image may be similar

Bending Angle [°]: 0

Finish: Nickel-Plated, 3 µm, E1E

Material: Steel

Material Group: Stahl

Size [mm]: 6.3x0.8

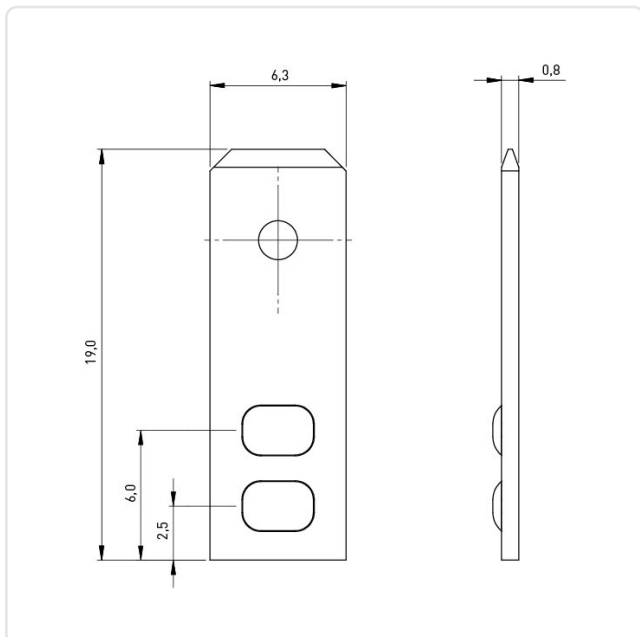
Tabs: 1

Weight: 0.71g

Conformities:



You can find all
information on the web on
our article detail page



Would you like individual advice?

We look forward to your email to products@ettinger.de.

Subject to change and errors.