

Article datasheet

## Perm-O-Pad for TO-5 Polyamid 6 natural

Article-No.: 070.02.546

Manufacturer: BIVAR

Manufacturer article-no.: 515-020

**BIVAR**

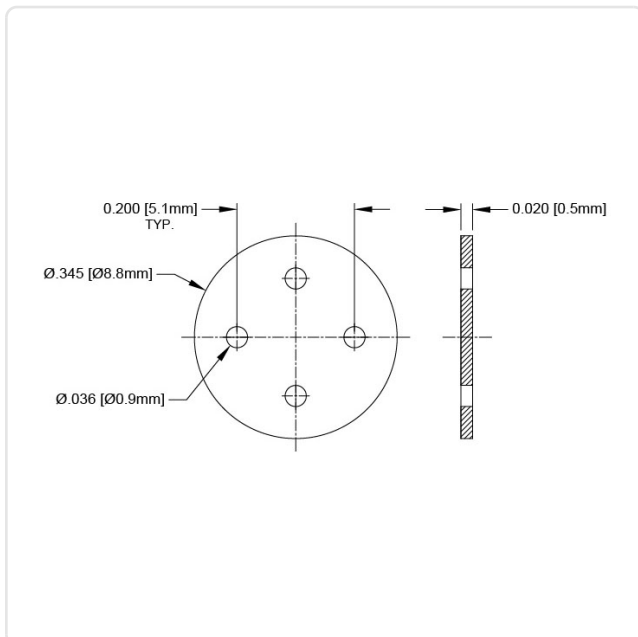


Image may be similar

Color: Natural  
Flammability Class: UL94-V2  
Material: PA 6.0  
Material Group: Plastic  
Model: TO-5  
Outer Diameter [mm]: 8.8  
Weight: 0.04g  
Conformities:



You can find all  
information on the web on  
our article detail page



Would you like individual advice?

We look forward to your email to [products@ettinger.de](mailto:products@ettinger.de).

Subject to change and errors.