

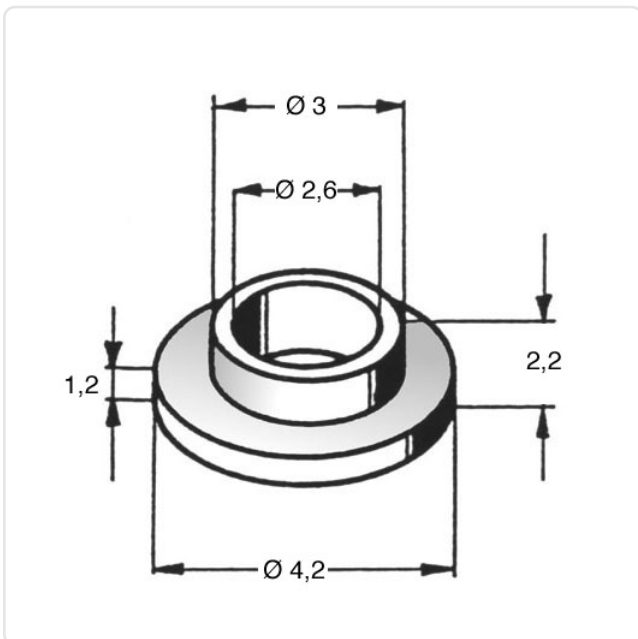
Article datasheet

## Insulation sleeve $\varnothing 2.6/3.0 \times 2.2$ mm Polyamid 4.6 black/UL94-V0/+163°C

Article-No.: 070.83.221



Image may be similar



Color: Black  
Flammability Class: UL94-V0  
Height [mm]: 2.2  
Inner Diameter [mm]: 2.6  
Lug Diameter [mm]: 3  
Material: PA 4.6 GF  
Material Group: Zink-Druckguss  
Model: With Low Lug  
Outer Diameter [mm]: 4.2  
Weight: 0.02g  
Conformities:



You can find all  
information on the web on  
our article detail page

Would you like individual advice?

We look forward to your email to [products@ettinger.de](mailto:products@ettinger.de).

Subject to change and errors.