

Article datasheet

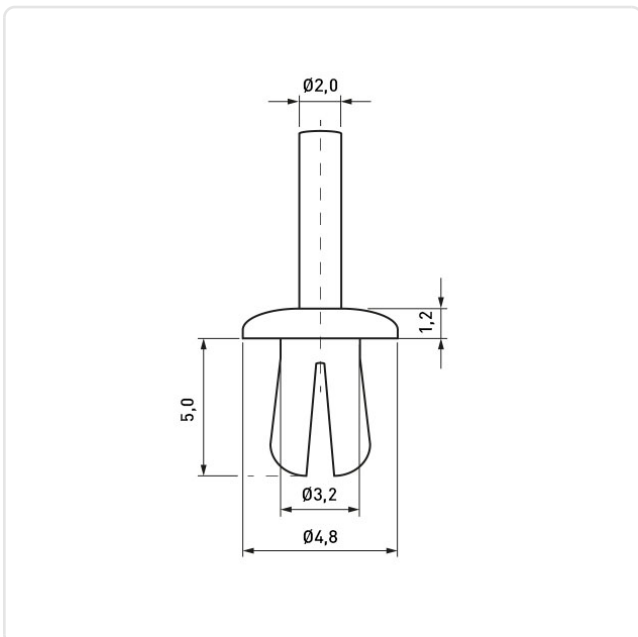
## Drive Rivet Ø3.2 | 0.8-3.6 Polyamide 6.6 black

Article-No.: 072.13.340



Image may be similar

Color:	Black
Flammability Class:	UL94-V2
Head Diameter [mm]:	4.8
Head Height [mm]:	1.2
Length [mm]:	5
Mandrel Diameter [mm]:	2
Material:	PA 6.6
Model:	not removable
Mounting Hole Range [mm]:	Ø 3.2-3.7
Panel Thickness [mm]:	0,8-3,6
Rivet Diameter [mm]:	3.2
Weight:	0.07g
Conformities:	



You can find all  
information on the web on  
our article detail page

Would you like individual advice?

We look forward to your email to [products@ettinger.de](mailto:products@ettinger.de).

Subject to change and errors.