

Article datasheet

Press Nut M6 | SW10x5.0 Galvanized Steel

Article-No.: 002.14.162

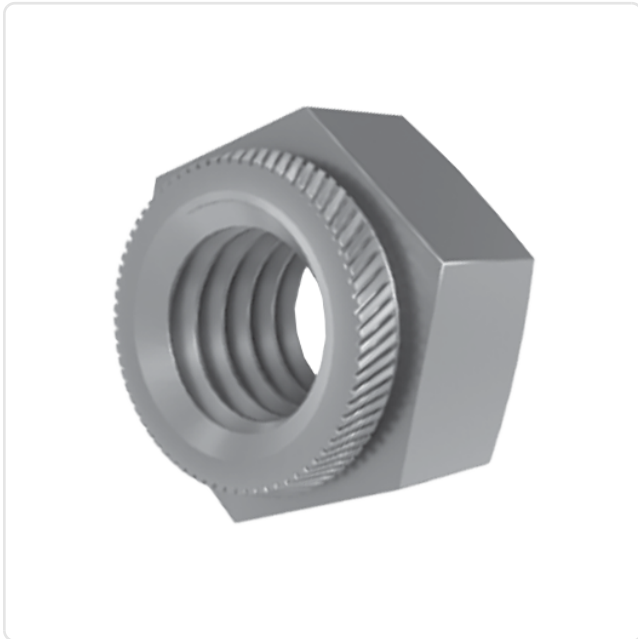



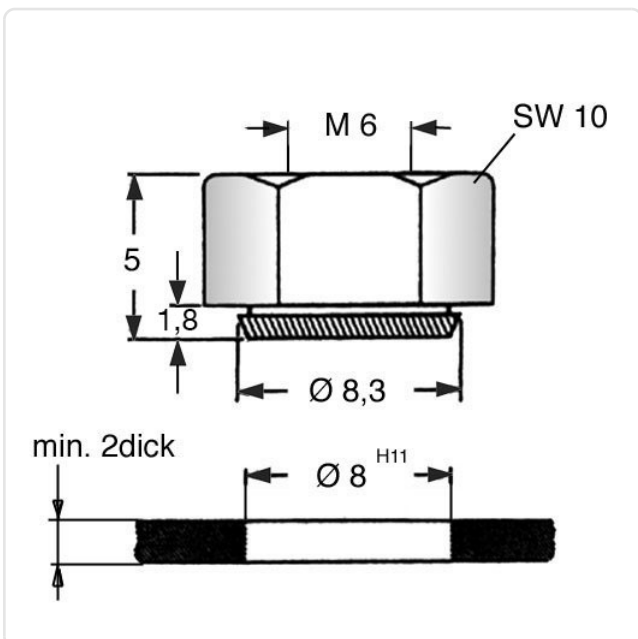


Image may be similar

AF / OD [mm]:	10
Finish:	Galvanized, Blue, 5 µm, A2K
Height [mm]:	5
Material:	Steel
Material Group:	Steel
Panel Hole Ø [mm]:	8
Panel Thickness [mm]:	2
Thread Size:	M6
Weight:	1.8g
Conformities:	  



You can find all information on the web on our article detail page



Would you like individual advice?

We look forward to your email to products@ettinger.de.

Subject to change and errors.