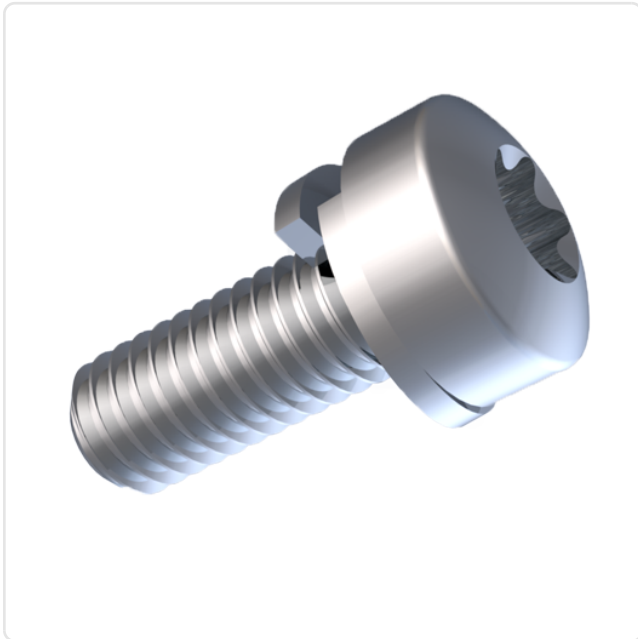


Article datasheet

SEMS Screw ISO14583 TX Z4 M3x6 Galvanized Steel 8.8 Spring Lock Washer

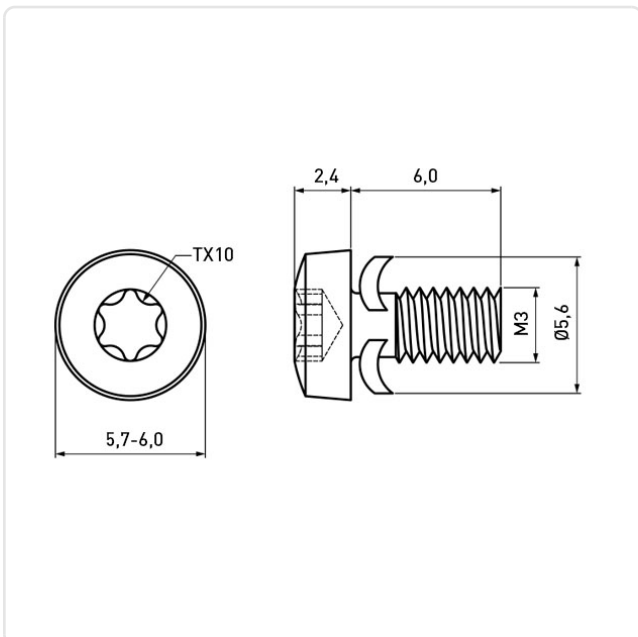
Article-No.: 081.55.322



Actuator Size:	Torx T10
Combination:	Spring Lock Washer DIN6905
DIN/ISO:	ISO14583
Drive Type:	TORX
Finish:	Galvanized, Blue, 5 µm, A2K
Head Diameter [mm]:	5.6
Head Height [mm]:	2.4
Head Shape:	Pan Head
Length [mm]:	6
Material:	Steel 8.8, lead-free
Thread Size:	M3
Weight:	0.74g
Conformities:	



Image may be similar



You can find all
information on the web on
our article detail page

Would you like individual advice?

We look forward to your email to products@ettinger.de.

Subject to change and errors.