

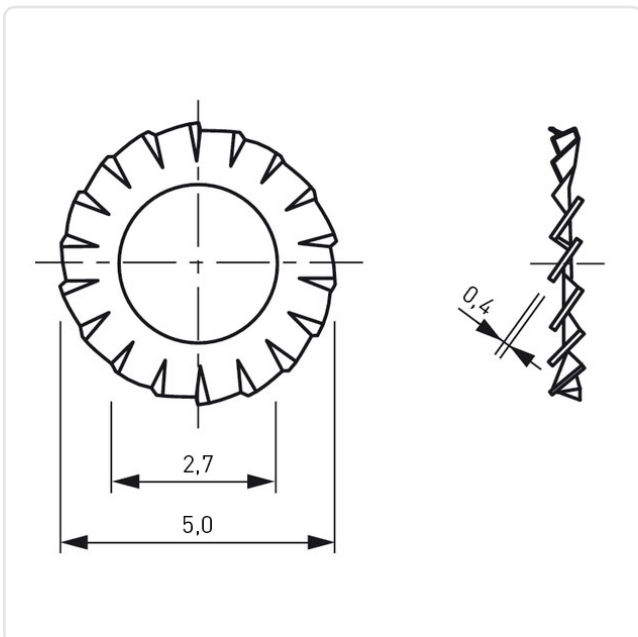
Article datasheet


Serrated Washer DIN6798 A $\text{\O}2.7/5.0 \times 0.4$ Galvanized Spring Steel

Article-No.: 003.54.021



Image may be similar



DIN/ISO:	DIN6798A
Finish:	Galvanized, Blue, 5 μm , A2K
For Thread Size:	M2.5
Height [mm]:	0.4
Inner Diameter [mm]:	2.7
Material:	Spring Steel
Material Group:	Steel
Outer Diameter [mm]:	5
Weight:	0.05g
Conformities:	  



You can find all
information on the web on
our article detail page

Would you like individual advice?

We look forward to your email to products@ettinger.de.

Subject to change and errors.