

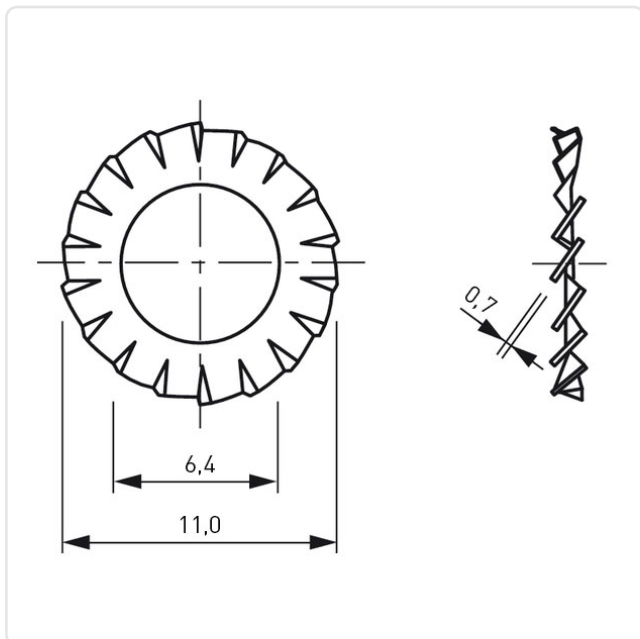
Article datasheet

Serrated Washer DIN6798 A Ø6.4/11.0 x 0.7 A4 Plain Stainless Steel

Article-No.: 003.54.069



Image may be similar



DIN/ISO:	DIN6798A
Finish:	Plain
For Thread Size:	M6
Height [mm]:	0.7
Inner Diameter [mm]:	6.4
Material:	Stainless Steel AISI 316 / A4
Outer Diameter [mm]:	11
Weight:	0.28g
Conformities:	



You can find all information on the web on our article detail page

Would you like individual advice?

We look forward to your email to products@ettinger.de.

Subject to change and errors.