

Article datasheet

Battery Holder 2x 9V cells Drawer Function - Panel Mounting

Article-No.: 015.92.712

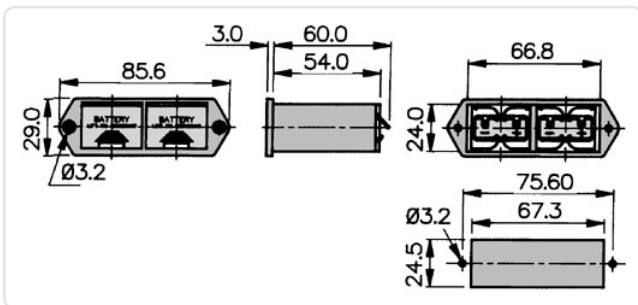


Image may be similar

Battery Type: 9V-Block
Material: PA 6.0 25% GF
Material Group: Plastic
Model: Drawer
No. Cells: 2
Weight: 52.2g
Conformities:



You can find all information on the web on our article detail page



Would you like individual advice?

We look forward to your email to products@ettinger.de.

Subject to change and errors.