

Article datasheet

## Interlocking Hose Clamp Ø17.0-18.5 Polyamide 6.6 black

Article-No.: 014.44.180

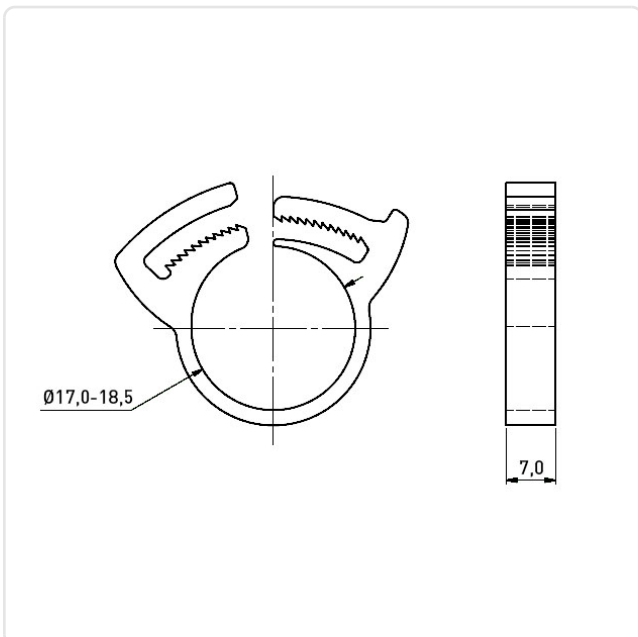


Image may be similar

Color: Black  
Flammability Class: UL94-V2  
Material: PA 6.6  
Panel Thickness Range [mm]: 17,0-18,5  
Thickness [mm]: 1.8  
Width [mm]: 7  
Weight: 2.79g  
Conformities:



You can find all information on the web on our article detail page



Would you like individual advice?

We look forward to your email to [products@ettinger.de](mailto:products@ettinger.de).

Subject to change and errors.