

Article datasheet

Diecast Aluminum Enclosure 1590FL / black / Flanged Lid

Article-No.: 097.06.102

Manufacturer: Hammond

Manufacturer article-no.: 1590BSFLBK



Color: Black
 Height [mm]: 42
 Length [mm]: 138
 Material: Aluminum
 Material Group: Aluminum
 Protection Code: IP54
 Width [mm]: 60.5
 Weight: 1.68g

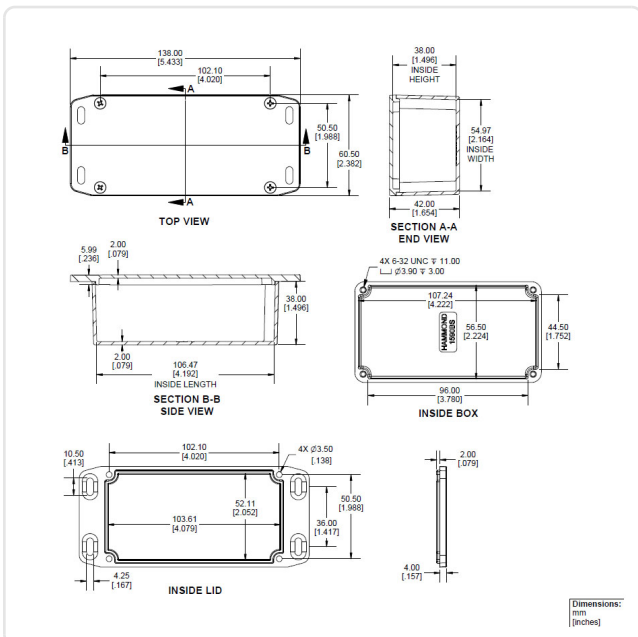
Conformities:



Image may be similar



You can find all information on the web on our article detail page



Would you like individual advice?

We look forward to your email to products@ettinger.de.

Subject to change and errors.