

Article datasheet

**PCB Support 6.4 |  $\varnothing$ 4.0 |  $\varnothing$ 7.9 Polyamide 6.6 natural**

Article-No.: 006.67.066



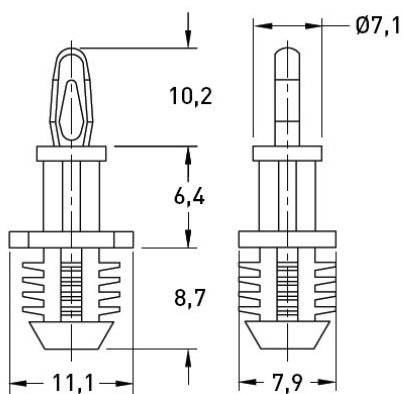
Image may be similar

Color: Natural  
 Flammability Class: UL94-V2  
 Length [mm]: 6.4  
 Material: PA 6.6  
 PCB Hole  $\varnothing$  [mm]: 4  
 PCB Thickness [mm]: 1,6  
 Panel Hole  $\varnothing$  [mm]: 7.9  
 Panel Thickness [mm]: 6,4  
 Weight: 0.62g  
 Conformities:



You can find all information on the web on our article detail page

Top Hole: Snap-fit: 4  
 Panel Thickness: 1,57



Bottom Hole: Press-fit: 7,92  
 Panel Thickness: 6,4 min.

Would you like individual advice?

We look forward to your email to [products@ettinger.de](mailto:products@ettinger.de).

Subject to change and errors.