

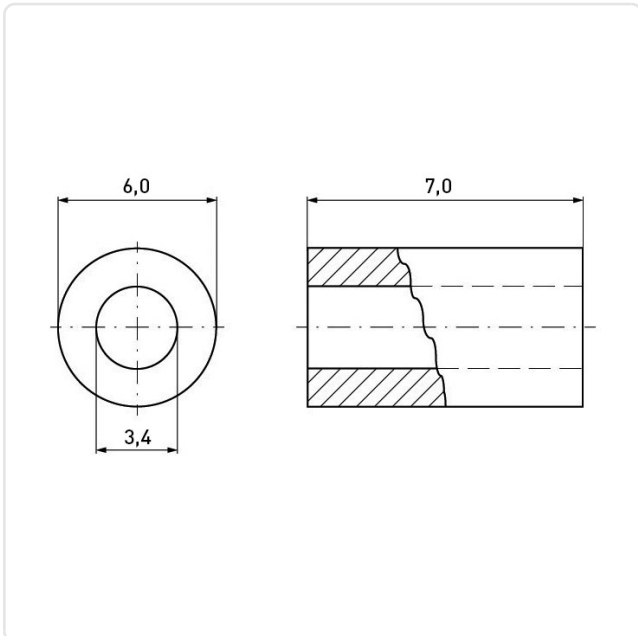
Article datasheet

## Round Spacer Ø3.4/6.0 x 7.0 PA/GF russet

Article-No.: 007.73.607



Image may be similar



Color: Russet  
Flammability Class: UL94-V0  
For Thread Size: M3  
Inner Diameter [mm]: 3.4  
Length [mm]: 7  
Material: PA 6.6 25% GF  
Material Group: Plastic  
Outer Diameter [mm]: 6  
Weight: 0.19g  
Conformities:



You can find all  
information on the web on  
our article detail page

Would you like individual advice?

We look forward to your email to [products@ettinger.de](mailto:products@ettinger.de).

Subject to change and errors.