

Article datasheet

Fuse Holder Panel-Mount 5x20mm IP40 Snap-in 1.0-1.5mm/max. 16A/250V

Article-No.: 015.08.201

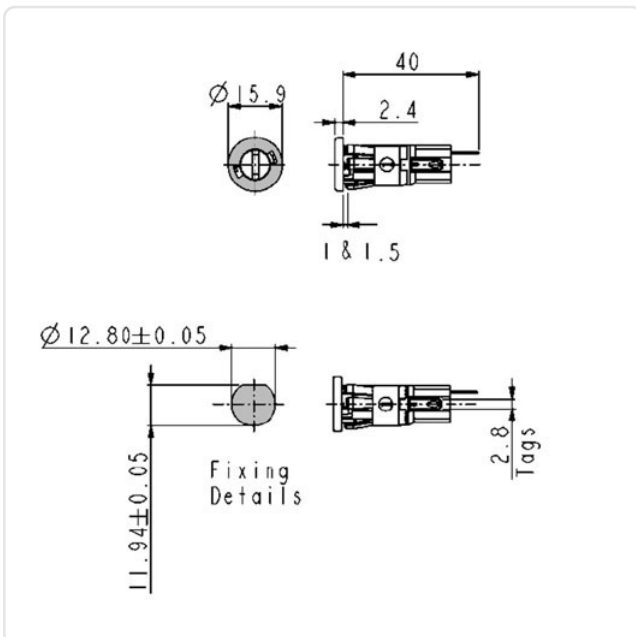


Image may be similar

Amperage [A]: 16
 Fuse Size [mm]: 5.0x20.0
 Material: PES - Polyester
 Model: Fuse Holder
 Mounting Hole [mm]: 12.8
 Protection Code: IP40
 Weight: 6.62g
 Conformities:



You can find all information on the web on our article detail page



Would you like individual advice?

We look forward to your email to products@ettinger.de.

Subject to change and errors.