

Article datasheet

PCB Support 7.9 | \varnothing 4.8 Polyamide 6.6 natural

Article-No.: 006.06.516

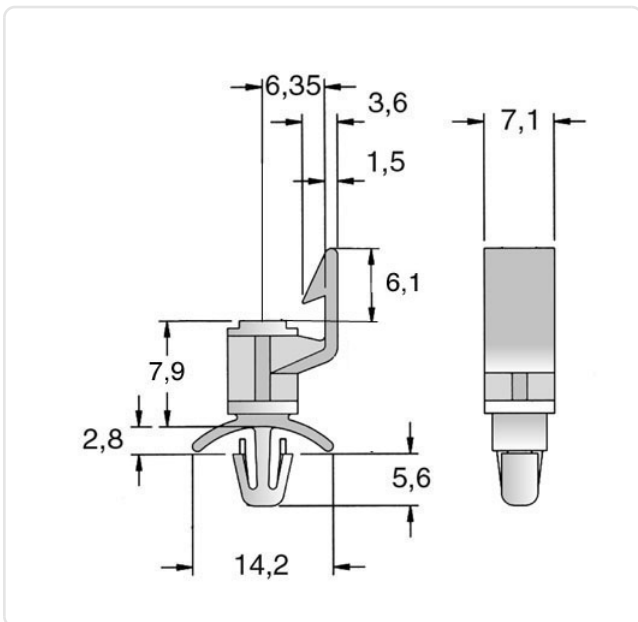


Image may be similar

Color: Natural
Flammability Class: UL94-V2
Length [mm]: 7.9
Material: PA 6.6
Panel Hole \varnothing [mm]: 4.8
Panel Thickness [mm]: 0,8-2,0
Weight: 0.61g
Conformities:



You can find all information on the web on our article detail page



Would you like individual advice?

We look forward to your email to products@ettinger.de.

Subject to change and errors.