

Article datasheet

Knurled Thumb Screw M4x10 Steel 4.8 Vertical Knurl

Article-No.: 001.84.103

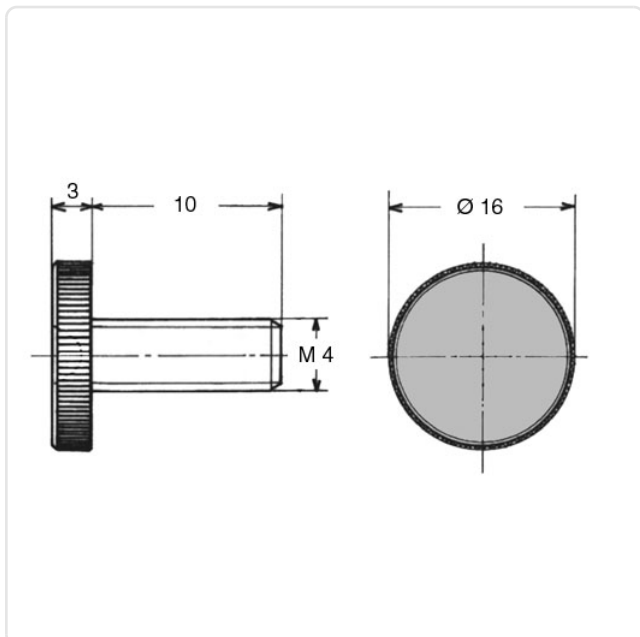


Image may be similar

Drive Type:	Knurl
Finish:	Nickel-Plated, 3 µm, E1E
Head Diameter [mm]:	16
Head Height [mm]:	3
Head Shape:	Flat Head
Knurling:	Vertical Knurl
Length [mm]:	10
Material:	Steel 4.8
Material Group:	Steel
Thread Size:	M4
Weight:	6.09g
Conformities:	



You can find all information on the web on our article detail page



Would you like individual advice?

We look forward to your email to products@ettinger.de.

Subject to change and errors.