

Article datasheet

Fan Guard Wire Form 3.13"-80 mm / 1/4" Ring Spacing

Article-No.: 059.64.050

Manufacturer: Qualtek

Manufacturer article-no.: 08172-02

Qualtek

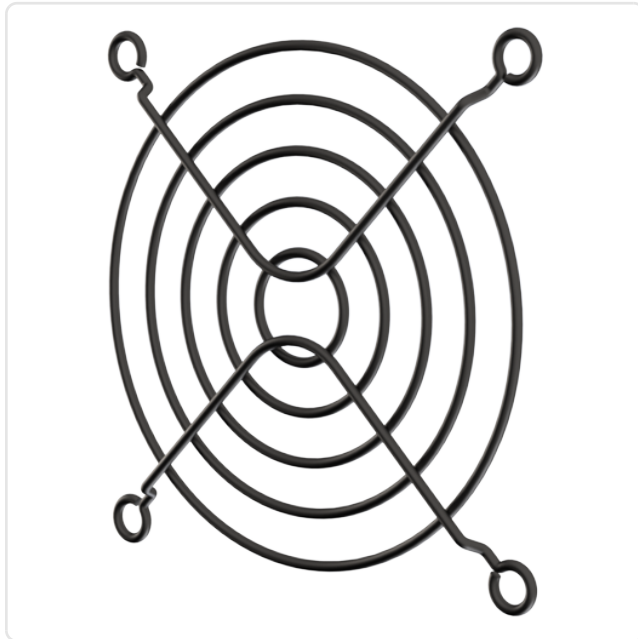


Image may be similar

Finish: Galvanized, Black, 5 µm, A2R

Lüftergröße [mm]: 80

Material: Steel

Material Group: Steel

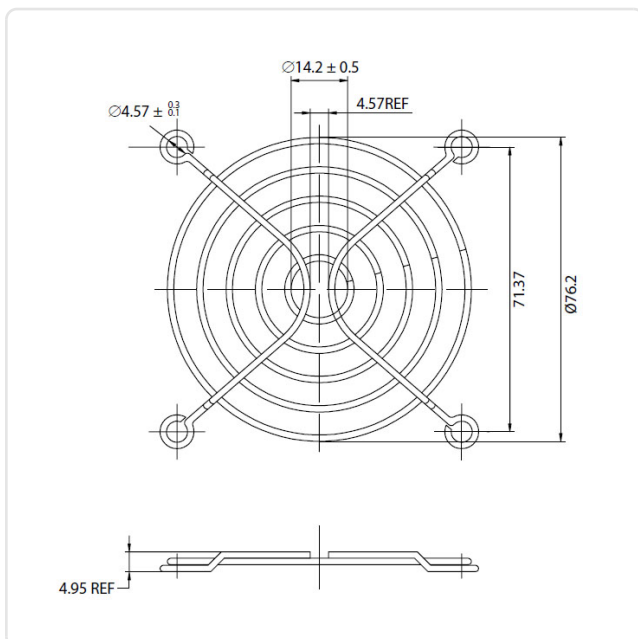
Model: Fan Guard

Weight: 15.97g

Conformities:



You can find all information on the web on our article detail page



Would you like individual advice?

We look forward to your email to products@ettinger.de.

Subject to change and errors.