

Article datasheet

PERM-O-PAD TO-18 + T1 3/4 Polyamid 6/6 white UL94-V2

Article-No.: 070.02.869

Manufacturer: BIVAR

Manufacturer article-no.: 116-060

BIVAR

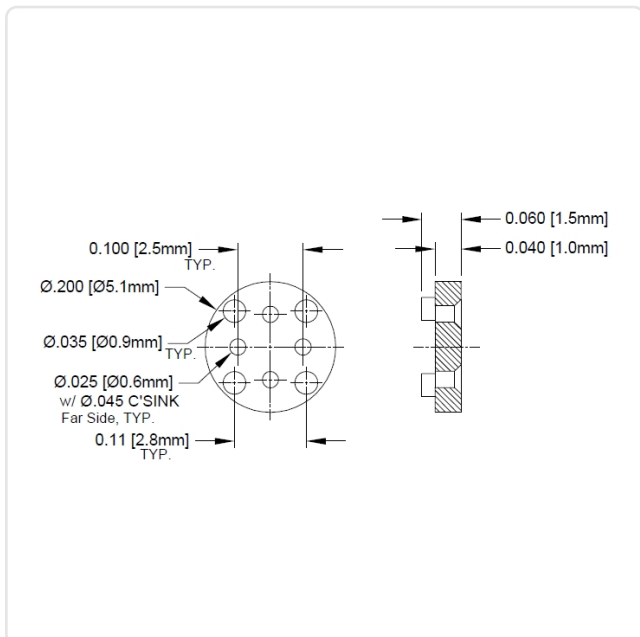


Image may be similar

Color: White
 Flammability Class: UL94-V2
 Material: PA 6.6
 Material Group: Plastic
 Model: TO-18
 Weight: 0.02g
 Conformities:



You can find all information on the web on our article detail page



Would you like individual advice?

We look forward to your email to products@ettinger.de.

Subject to change and errors.