

Article datasheet

## Tubular Rivet DIN7340 B 2.5x0.3x7.0 Tin-Plated Brass

Article-No.: 019.87.075

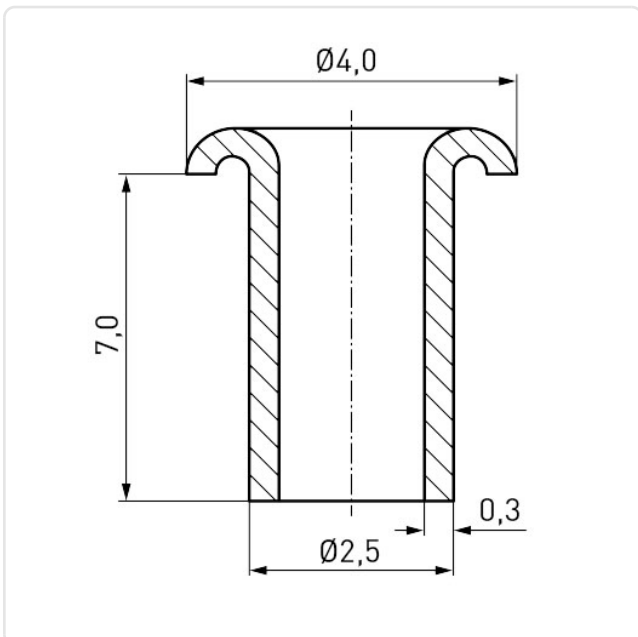


Image may be similar

DIN/ISO: DIN7340B  
Finish: Tin-Plated  
Head Diameter [mm]: 4  
Length [mm]: 7  
Material: Brass  
Rivet Diameter [mm]: 2.5  
Wall Thickness [mm]: 0.30  
Weight: 0.16g  
Conformities:



You can find all information on the web on our article detail page



Would you like individual advice?

We look forward to your email to [products@ettinger.de](mailto:products@ettinger.de).

Subject to change and errors.