

Article datasheet

## Standoff Galvanized Steel Self-Tapping AF5.5x30 F=M3x8 M=ST2.9x6 w/o UC

Article-No.: 005.20.330

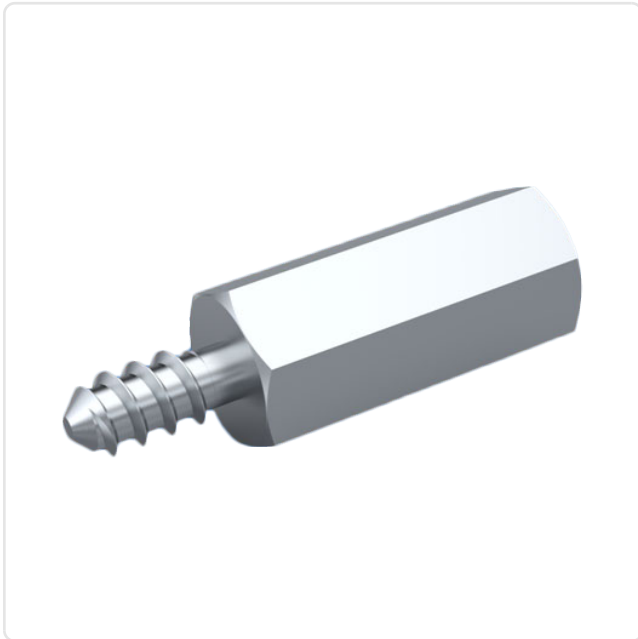
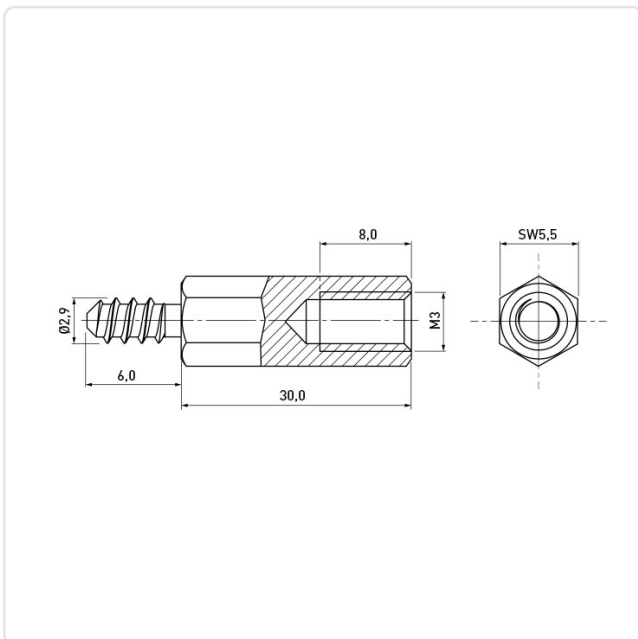


Image may be similar

AF / OD [mm]:	5.5
Female Thread Length [mm]:	10
Female Thread Size:	M3
Finish:	Galvanized, Blue, 5 µm, A2K
Length [mm]:	30
Male Thread Length [mm]:	6
Male Thread Size:	ST2.9 Self-Tapping
Material:	Steel AISI 12L13 / 11SMnPb30
Material Group:	Steel
Profile:	Hexagonal
Undercut:	Yes
Weight:	5.71g
Conformities:	



You can find all information on the web on our article detail page

Would you like individual advice?

We look forward to your email to [products@ettinger.de](mailto:products@ettinger.de).

Subject to change and errors.