

Article datasheet

Lock Nut DIN985/ISO10511 M3 Galvanized Steel

Article-No.: 002.08.103

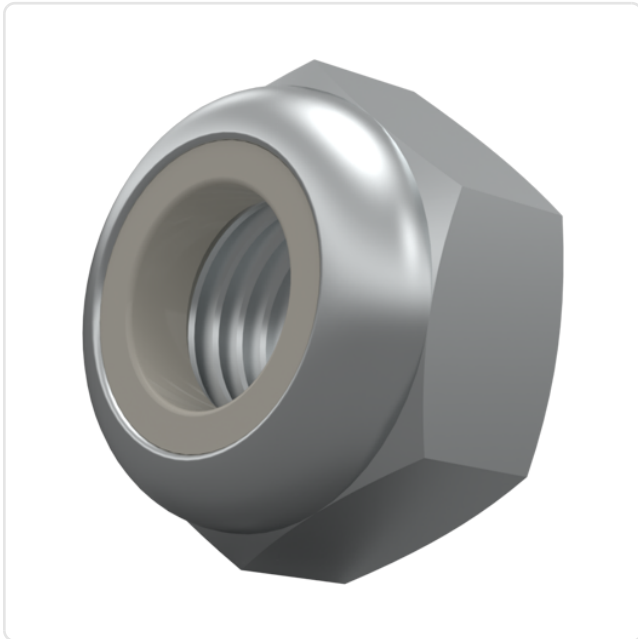
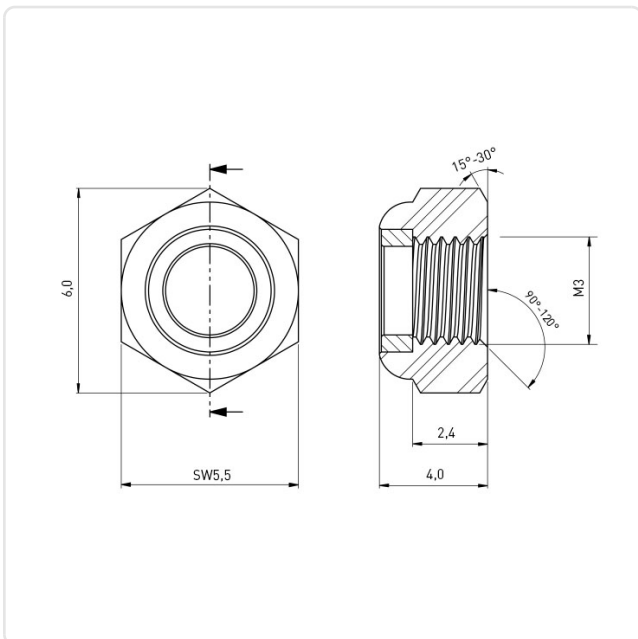


Image may be similar

AF / OD [mm]: 5.5
DIN/ISO: DIN985 / ISO10511
Finish: Galvanized, Blue, 5 µm, A2K
Height [mm]: 4
Material: Steel lead-free
Thread Size: M3
Weight: 0.44g
Conformities:



You can find all
information on the web on
our article detail page



Would you like individual advice?

We look forward to your email to products@ettinger.de.

Subject to change and errors.