

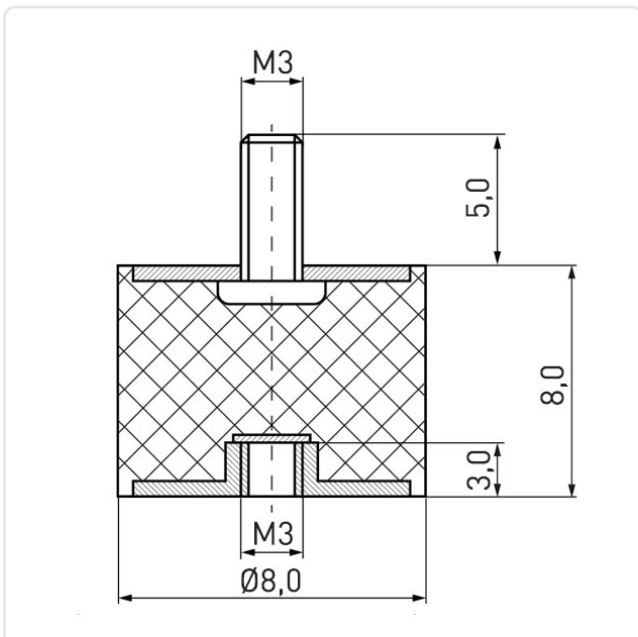
Article datasheet

## Vibration Mount, cylindrical / Inside and Outside Thread

Article-No.: 071.35.335



Image may be similar



Diameter [mm]:	8
Female Thread Length [mm]:	3
Finish:	Galvanized, Blue, 5 $\mu$ m, A2K
Height [mm]:	8
Male Thread Length [mm]:	5
Material:	Natural Rubber
Material Group:	Plastic
Shore-Hardness:	Grade of Hardness 40-43°
Thread Size:	M3
Weight:	1.17g
Conformities:	



You can find all  
information on the web on  
our article detail page

Would you like individual advice?

We look forward to your email to [products@ettinger.de](mailto:products@ettinger.de).

Subject to change and errors.