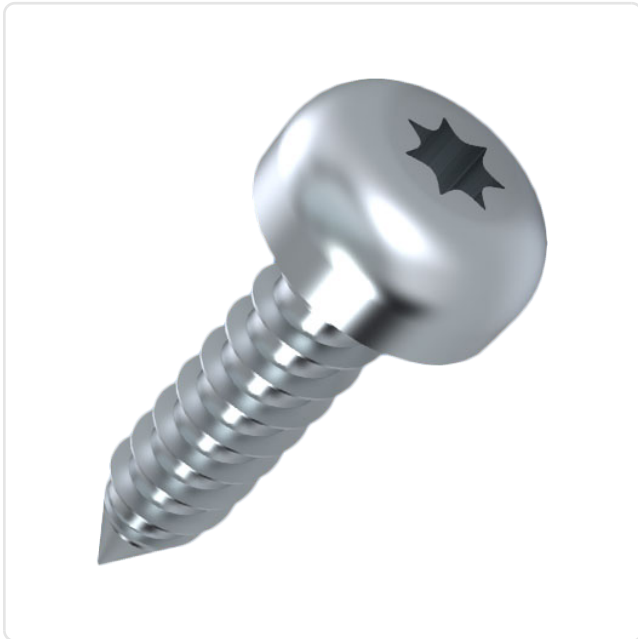


Article datasheet

Tapping Screw ISO14585T Ø4.8x13 Galv. Steel Case Hardened Torx Pan Head

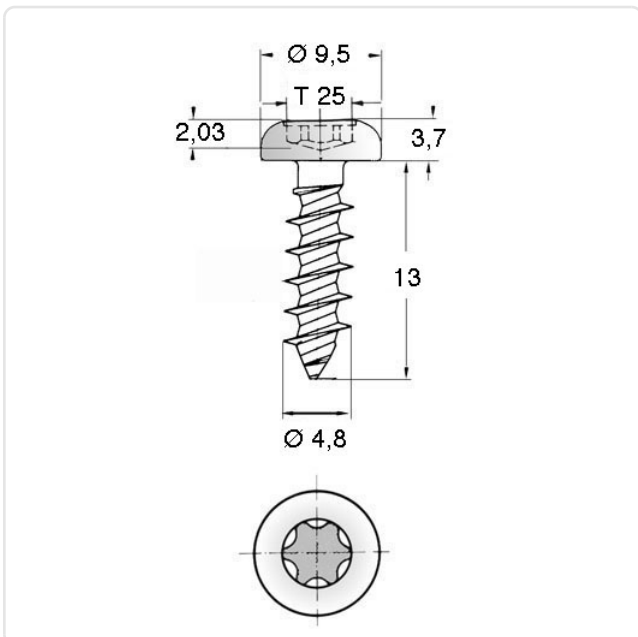
Article-No.: 001.26.551



Actuator Size:	Torx T25
DIN/ISO:	ISO14585
Drive Type:	TORX
Finish:	Galvanized, Blue, 5 µm, A2K
Head Diameter [mm]:	9.5
Head Height [mm]:	3.7
Head Shape:	Pan Head
Length [mm]:	13
Material:	Case-Hardened Steel
Material Group:	Steel
Thread Diameter [mm]:	Ø 4.8
Weight:	2.33g
Conformities:	



Image may be similar



You can find all information on the web on our article detail page

Would you like individual advice?

We look forward to your email to products@ettinger.de.

Subject to change and errors.