

Article datasheet

Square Nut - Metric D562 M3/5,5x1,8 Steel zinc plated

Article-No.: 002.11.032

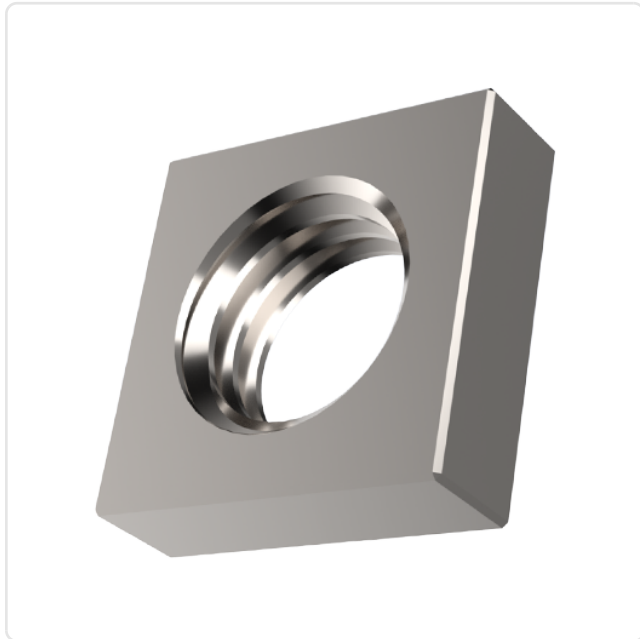
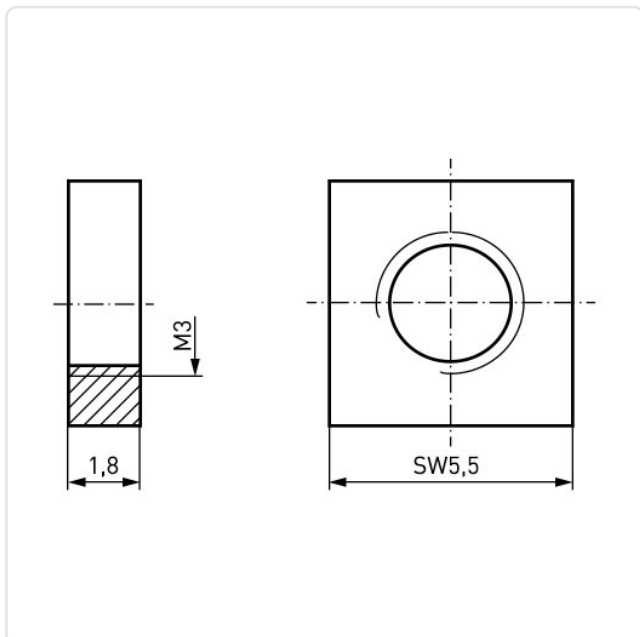


Image may be similar

AF / OD [mm]: 5.5
DIN/ISO: DIN562
Finish: Plain
Height [mm]: 1.8
Material: Stainless Steel AISI 304 / A2
Material Group: Stainless Steel
Thread Size: M3
Conformities:



You can find all
information on the web on
our article detail page



Would you like individual advice?

We look forward to your email to products@ettinger.de.

Subject to change and errors.