

Article datasheet

Solderless Terminal DIN 46234C M3 Copper,tinned/0.5.1.0mm²/AWG22-18

Article-No.: 018.68.135

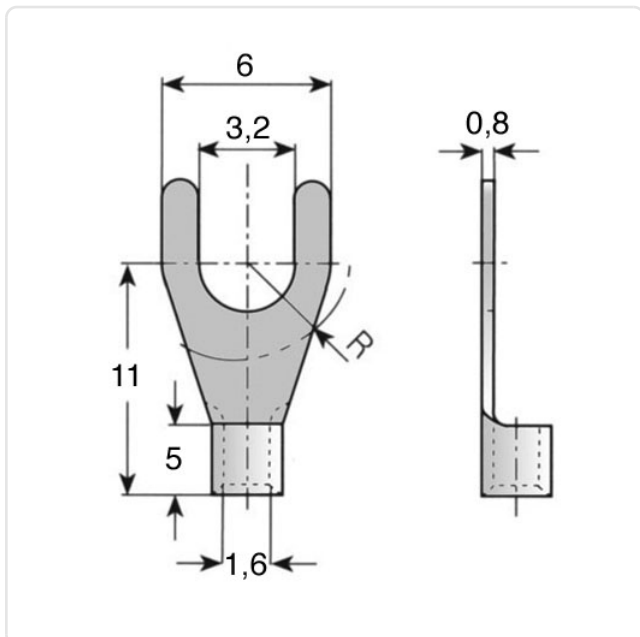


Image may be similar

DIN/ISO:	DIN46234-A
For Thread Size:	M3
Inside Dia.D1 [mm]:	1.6
Material:	Electrolytic Copper
Outer Diameter [mm]:	6
Wire Cross Section [mm ²]:	0.5-1.0
Weight:	0.51g
Conformities:	



You can find all information on the web on our article detail page



Would you like individual advice?

We look forward to your email to products@ettinger.de.

Subject to change and errors.