

Article datasheet

Knurled Thumb Screw DIN464 M3x16 A1 Stainless Steel Vertical Knurl

Article-No.: 001.86.362

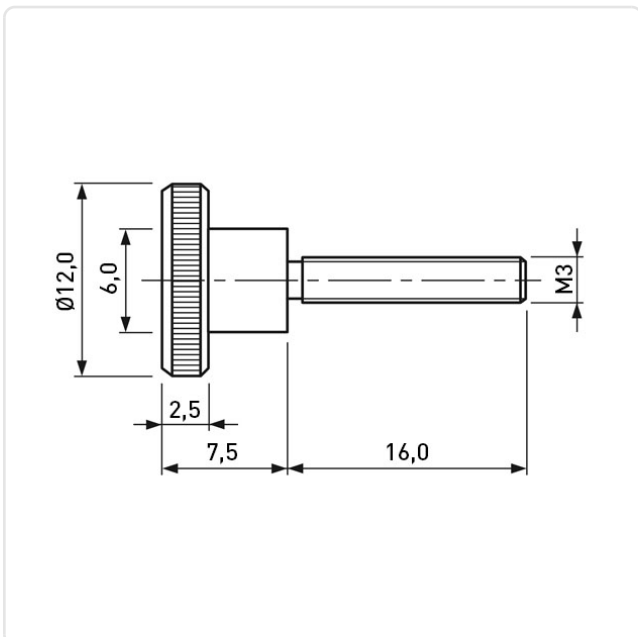


Image may be similar

Finish:	Plain
Head Diameter [mm]:	12
Head Height [mm]:	2.5
Head Shape:	Flat Head
Knurling:	Vertical Knurl
Length [mm]:	16
Material:	Stainless Steel AISI 303 / A1
Material Group:	Stainless Steel
Reduced Shank Length [mm]:	5
Thread Size:	M3
Weight:	37.4g
Conformities:	



You can find all information on the web on our article detail page



Would you like individual advice?

We look forward to your email to products@ettinger.de.

Subject to change and errors.