

Article datasheet

PC Fuse Clip 5x20mm max. 6 Amps Bronze tinned - pin 3.5mm

Article-No.: 015.06.026

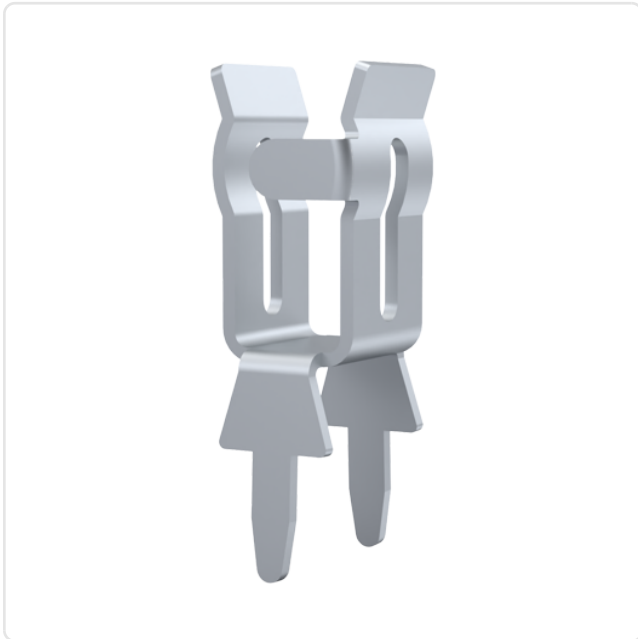
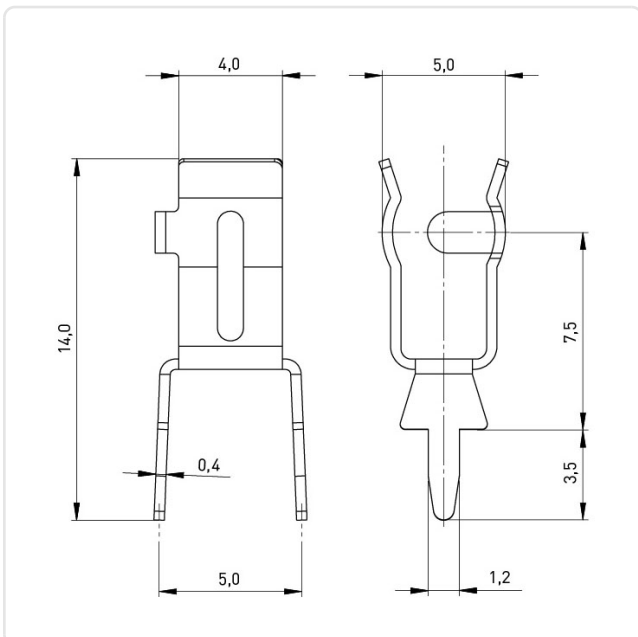


Image may be similar

Amperage [A]:	6
Fuse Size [mm]:	5.0x20.0
Material:	Bronze
Material Group:	Bronze
Model:	Clip Holder
Mounting Hole [mm]:	1.3
Protection Code:	PC1
Weight:	0.33g
Conformities:	



You can find all information on the web on our article detail page



Would you like individual advice?

We look forward to your email to products@ettinger.de.

Subject to change and errors.