

Article datasheet

Interlocking Hose Clamp Ø12.0-13.5 Polyamide 6.6 black

Article-No.: 014.44.130

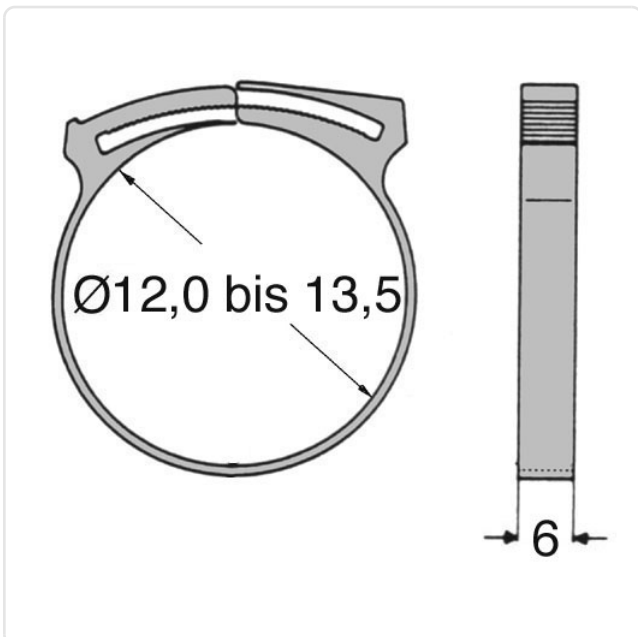


Image may be similar

Color:	Black
Flammability Class:	UL94-V2
Material:	PA 6.6
Panel Thickness Range [mm]:	12,0-13,5
Thickness [mm]:	1.8
Width [mm]:	6
Weight:	1.55g
Conformities:	



You can find all
information on the web on
our article detail page



Would you like individual advice?

We look forward to your email to products@ettinger.de.

Subject to change and errors.