

Article datasheet

Screw-On Bumper Ø30.5x25.0 PVC black

Article-No.: 017.54.250

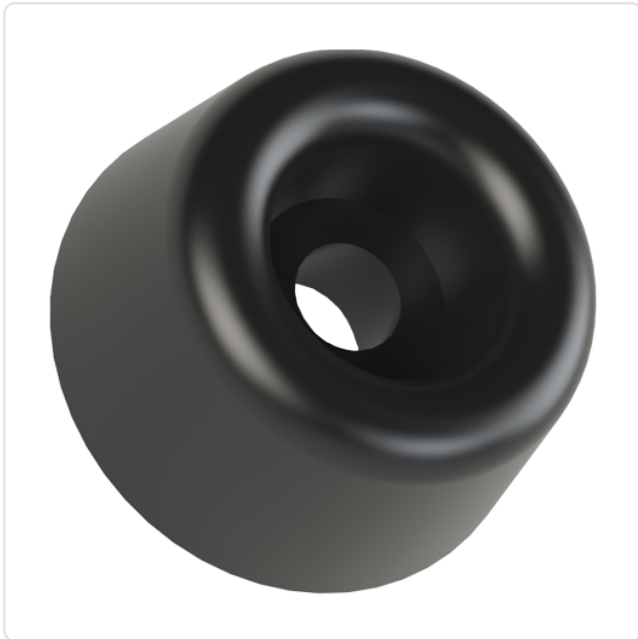
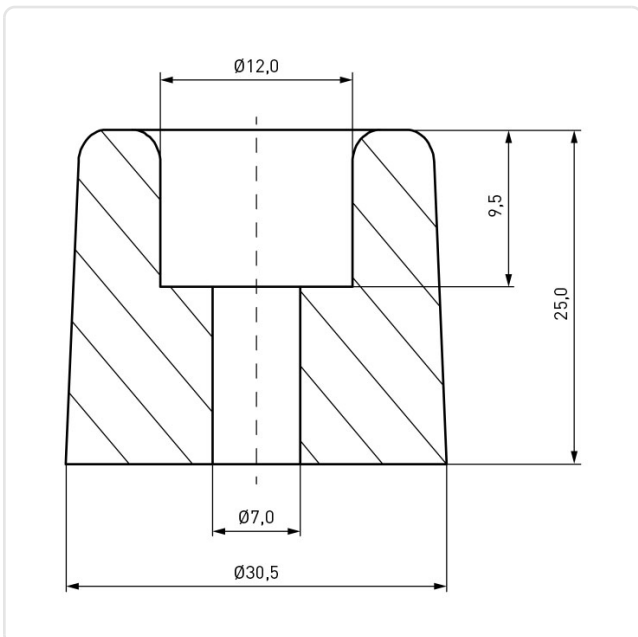


Image may be similar

Bumper Design: Round, Tapered
Color: Black
Diameter [mm]: 30.5
Height [mm]: 25
Material: PVC - Polyvinyl Chloride
Mounting Hole [mm]: 7
Weight: 6.26g
Conformities:



You can find all information on the web on our article detail page



Would you like individual advice?

We look forward to your email to products@ettinger.de.

Subject to change and errors.