

Article datasheet

Twist Lock Standoff 4.8/12.7 bundle Ø12.7-15.2mm

Article-No.: 072.63.511



Image may be similar

Bundle Diameter [mm]: 10,0-15,0

Color: Natural

Flammability Class: UL94-V2

Material: PA 6.6

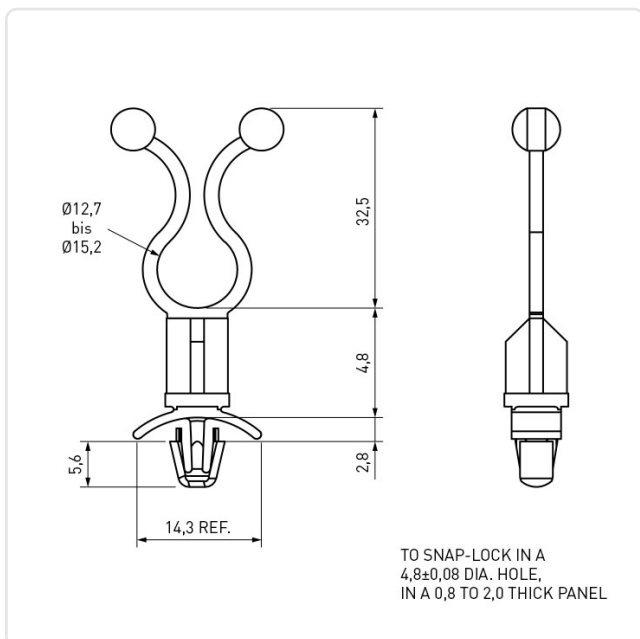
Model: Plug-In Foot

Weight: 0.88g

Conformities:



You can find all information on the web on our article detail page



Would you like individual advice?

We look forward to your email to products@ettinger.de.

Subject to change and errors.