

Article datasheet

## Screw for T-Slot DIN787 M16x80/50 Plain Steel 8.8

Article-No.: 001.42.161

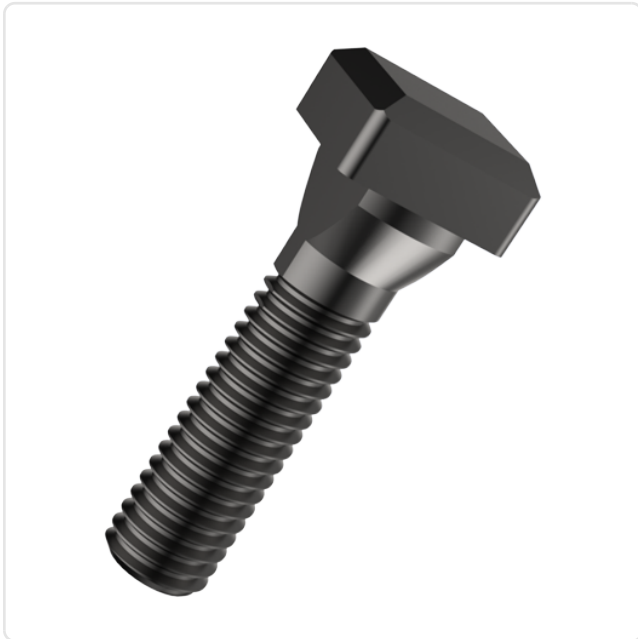
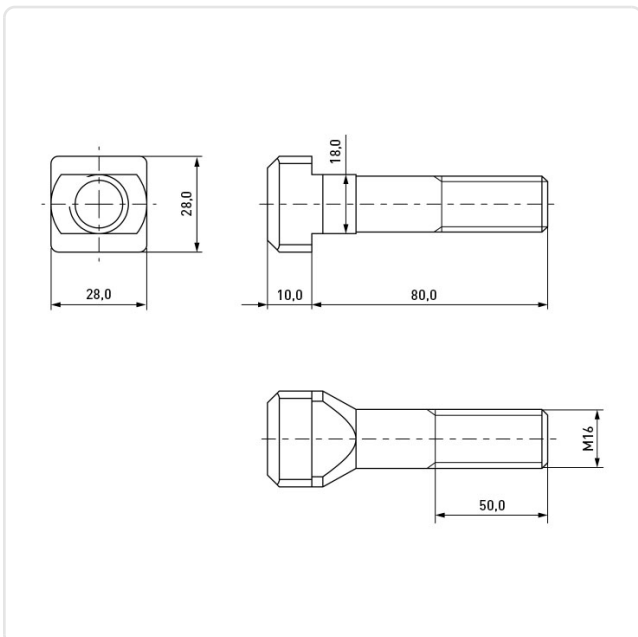


Image may be similar

DIN/ISO: DIN787  
Finish: Plain  
Head Height [mm]: 9  
Head Shape: Hammer Head  
Length [mm]: 80  
Material: Steel 8.8  
Slot Width [mm]: 18  
Thread Length [mm]: 50  
Thread Size: M16  
Conformities:



You can find all information on the web on our article detail page



Would you like individual advice?

We look forward to your email to [products@ettinger.de](mailto:products@ettinger.de).

Subject to change and errors.