

Article datasheet

Fuse Holder 5x20mm IP66 panel mount Polyamid 6.6 UL94-V0 max. 6.3A/250V

Article-No.: 015.08.661

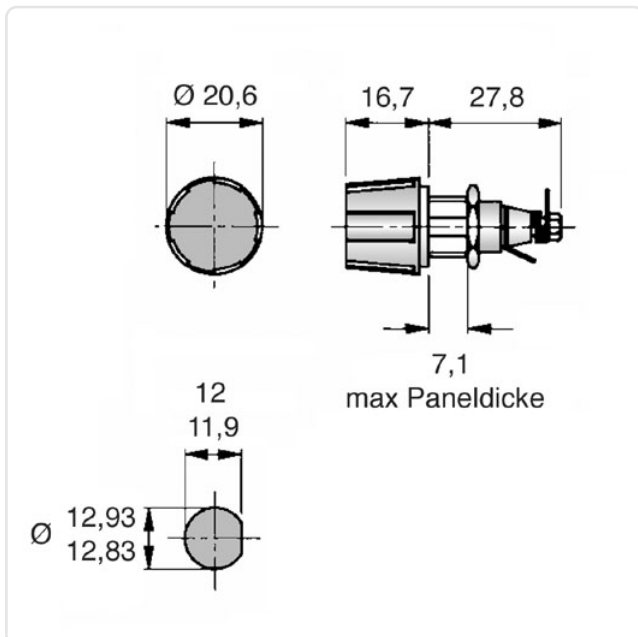


Image may be similar

Amperage [A]:	6.3
Fuse Size [mm]:	5.0x20.0
Material:	PA 6.6
Model:	Fuse Holder
Mounting Hole [mm]:	12.9
Protection Code:	IP66
Weight:	18.18g
Conformities:	



You can find all information on the web on our article detail page



Would you like individual advice?

We look forward to your email to products@ettinger.de.

Subject to change and errors.