

Article datasheet

## Solder Tag $\varnothing 1.6/3.0 \times 8.0$ mm Brass silver-plated 0.3mm thick

Article-No.: 019.05.009

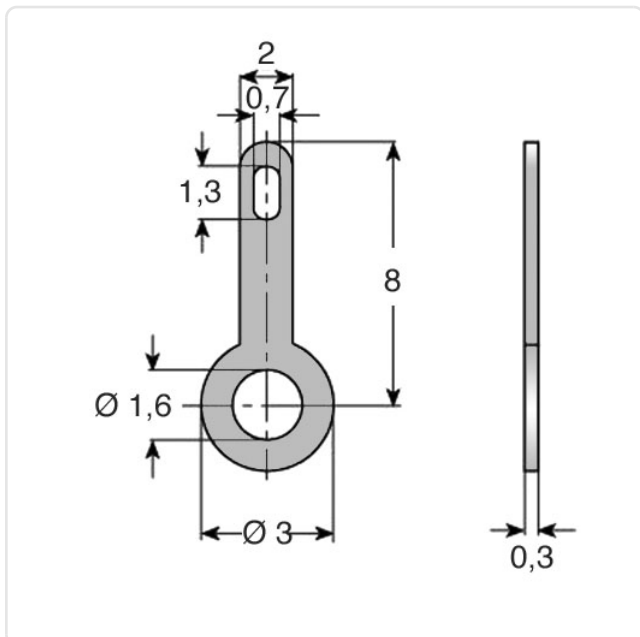


Image may be similar

Finish: Silver-Plated  
Inner Diameter [mm]: 1.6  
Length [mm]: 8  
Material: Brass CW508L / CuZn37, lead-free  
Material Group: Messing  
Outer Diameter [mm]: 3  
Weight: 0.04g  
Conformities:



You can find all information on the web on our article detail page



Would you like individual advice?

We look forward to your email to [products@ettinger.de](mailto:products@ettinger.de).

Subject to change and errors.