

Article datasheet

Switch Stainless Steel Low Profile Vandal Resistant 1A-50Vac

Article-No.: 011.13.687

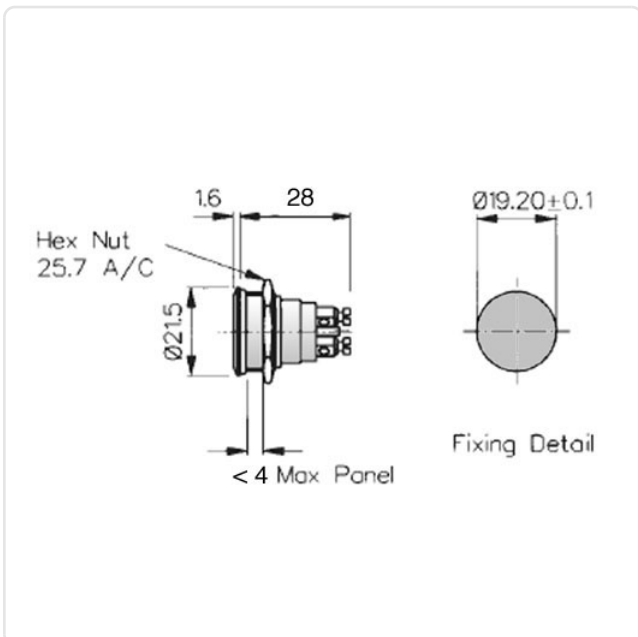


Image may be similar

Contact Plating:	Silver-plated
Diameter [mm]:	21.5
Material:	Brass CW614N / CuZn39Pb3
Material Group:	Brass
Mounting Hole [mm]:	19.2
Protection Code:	IP68
Weight:	28g
Conformities:	



You can find all
information on the web on
our article detail page



Would you like individual advice?

We look forward to your email to products@ettinger.de.

Subject to change and errors.