

Article datasheet

Retaining Ring Ø5.0/11.5 x 1.3 Burnished Spring Steel

Article-No.: 003.15.451

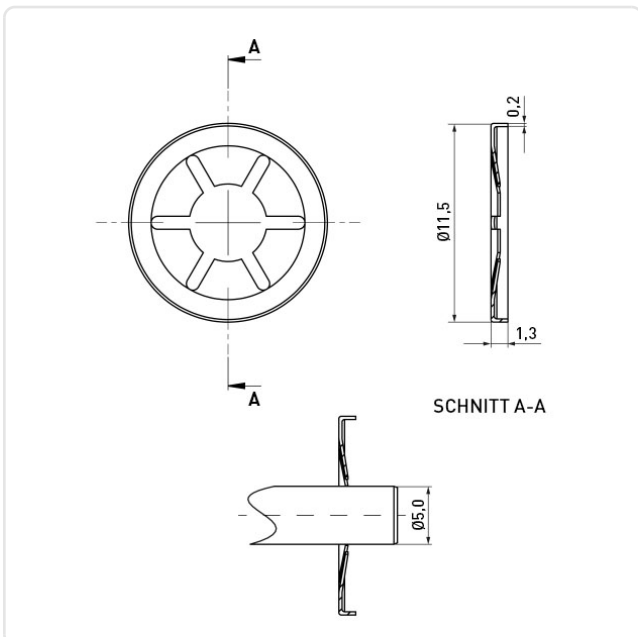


Image may be similar

Finish: Burnished
Height [mm]: 1.3
Material: Spring Steel
Material Group: Steel
Outer Diameter [mm]: 11.5
Weight: 0.16g
Conformities:



You can find all
information on the web on
our article detail page



Would you like individual advice?

We look forward to your email to products@ettinger.de.

Subject to change and errors.