

Article datasheet

Fuse Clips 5x20mm with End Stops Brass tinned 15A max.

Article-No.: 015.06.027

Manufacturer: Keystone Electronics

Manufacturer article-no.: 3521

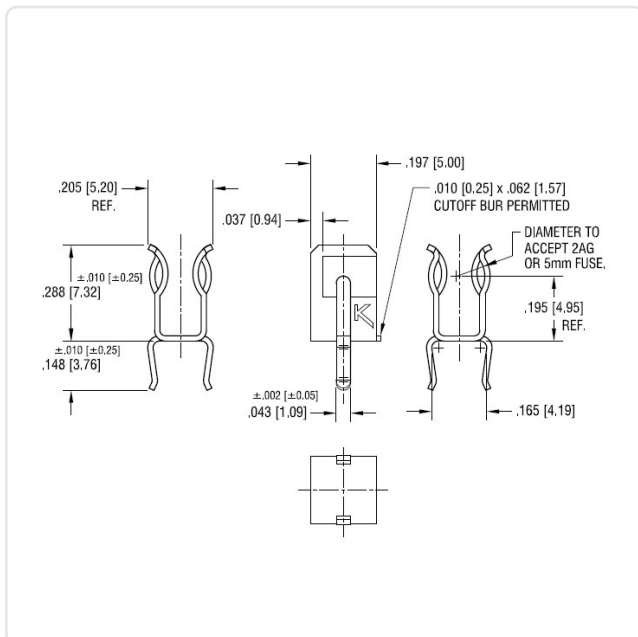


Image may be similar

Fuse Size [mm]: 5.0x20.0
 Material: Brass
 Material Group: Messing
 Model: Clip Holder
 Mounting Hole [mm]: 1.3
 Protection Code: PC1
 Weight: 0.28g
 Conformities:



You can find all information on the web on our article detail page



Would you like individual advice?

We look forward to your email to products@ettinger.de.

Subject to change and errors.