

Article datasheet

Wire Saddle 11.1x9.9mm inside Polyamid 6.6 natural UL94-V0 E70062

Article-No.: 072.72.527

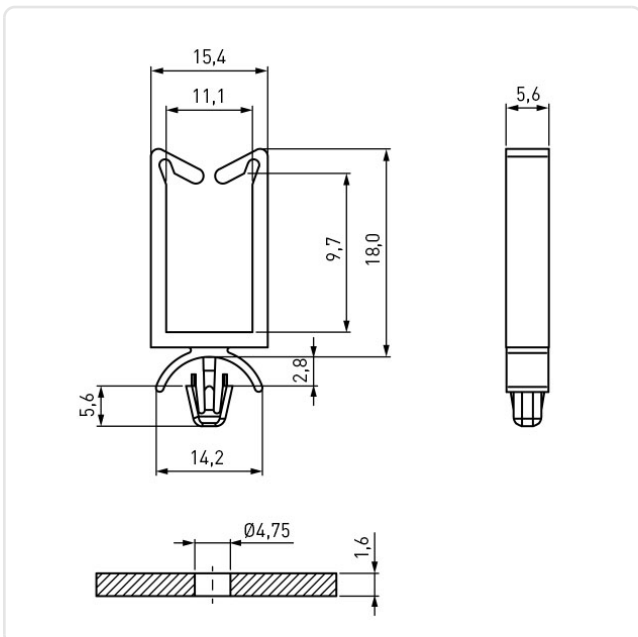


Image may be similar

Bundle Diameter [mm]: 5,0-10,0
Color: Natural
Height [mm]: 18
Material: PA 6.6
Mounting Hole [mm]: 4.8
Panel Thickness [mm]: 1,6 mm
Width [mm]: 15.9
Weight: 0.89g
Conformities:



You can find all information on the web on our article detail page



Would you like individual advice?

We look forward to your email to products@ettinger.de.

Subject to change and errors.