

Article datasheet

## Cable Gland with antikink M16 IP68 PA6 lightgrey RAL 7035/4.5-10mm<sup>2</sup>

Article-No.: 014.22.167

Manufacturer: LAPP

Manufacturer article-no.: 53111810

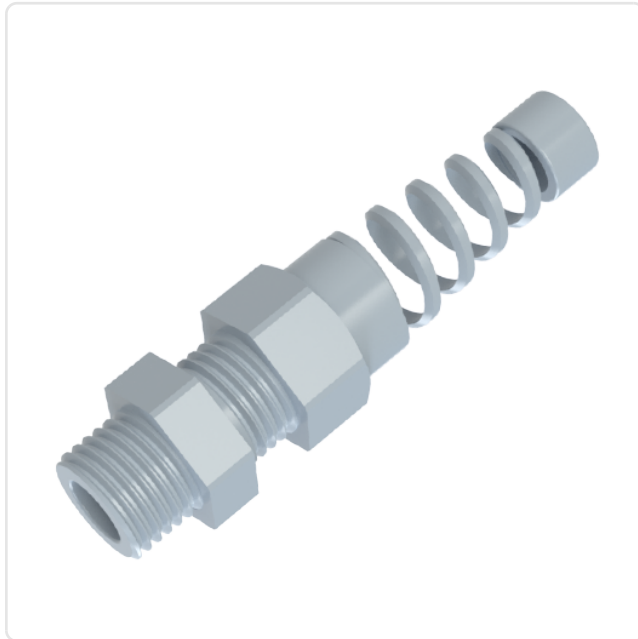
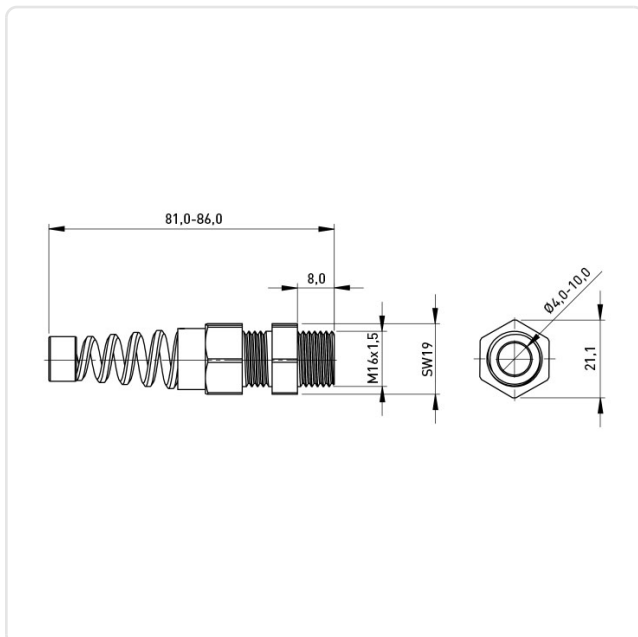


Image may be similar

AF / OD [mm]:	19
Color:	Gray
Material:	PA 6.0
Material Group:	Plastic
Model:	With Bend Protection
Mounting Hole [mm]:	16.5
Panel Thickness Range [mm]:	4.5-10.0
Protection Code:	IP68
Thread Size:	M16
Weight:	10.58g
Conformities:	



You can find all information on the web on our article detail page



Would you like individual advice?

We look forward to your email to [products@ettinger.de](mailto:products@ettinger.de).

Subject to change and errors.