

Article datasheet

Cable Glands EMV M16

Article-No.: 014.29.316

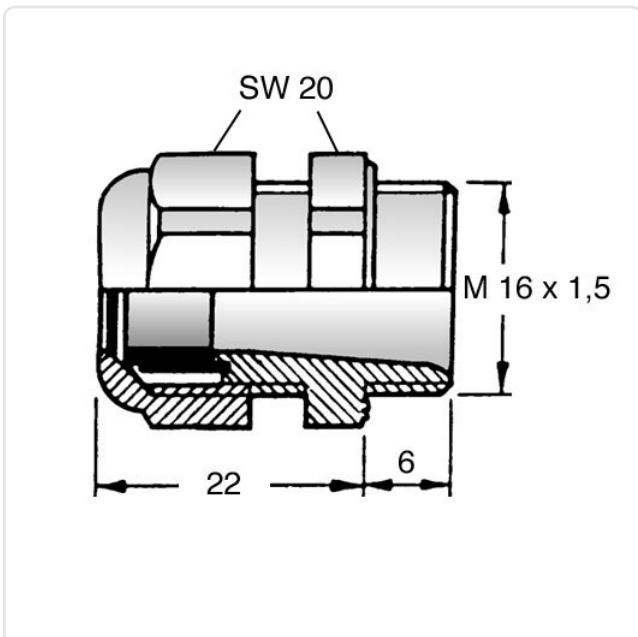


Image may be similar

AF / OD [mm]:	20
Material:	Brass
Material Group:	Brass
Mounting Hole [mm]:	16.5
Panel Thickness Range [mm]:	5,0 - 10,0
Protection Code:	IP68
Thread Size:	M16
Weight:	23.08g
Conformities:	



You can find all information on the web on our article detail page



Would you like individual advice?

We look forward to your email to products@ettinger.de.

Subject to change and errors.