

Article datasheet

## Interlocking Hose Clamp Ø13.5-15.1 Polyamide 6.6 black

Article-No.: 014.43.150

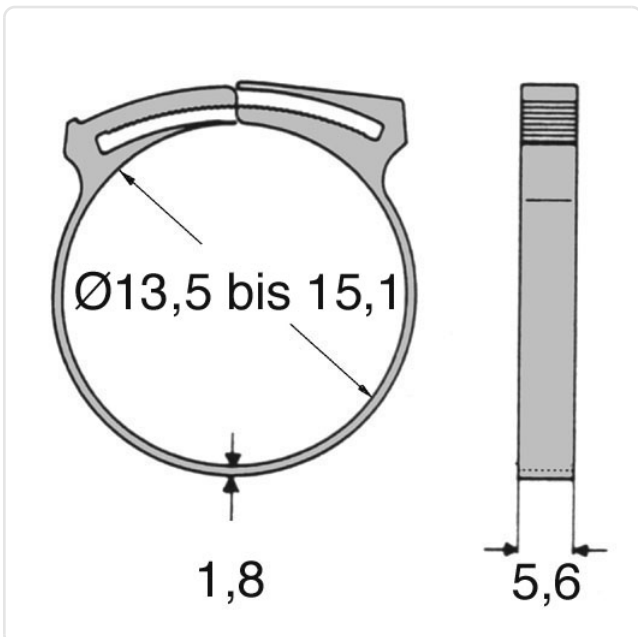


Image may be similar

Color:	Black
Flammability Class:	UL94-V2
Material:	PA 6.6
Panel Thickness Range [mm]:	13,5-15,1
Thickness [mm]:	1.8
Width [mm]:	5.6
Weight:	1.52g
Conformities:	



You can find all information on the web on our article detail page



Would you like individual advice?

We look forward to your email to [products@ettinger.de](mailto:products@ettinger.de).

Subject to change and errors.