

Article datasheet

Diecast Aluminum Enclosures 1590 / IP 54 / 119.5 x 52 x 187.5 mm

Article-No.: 097.05.850

Manufacturer: Hammond

Manufacturer article-no.: 1590DBK

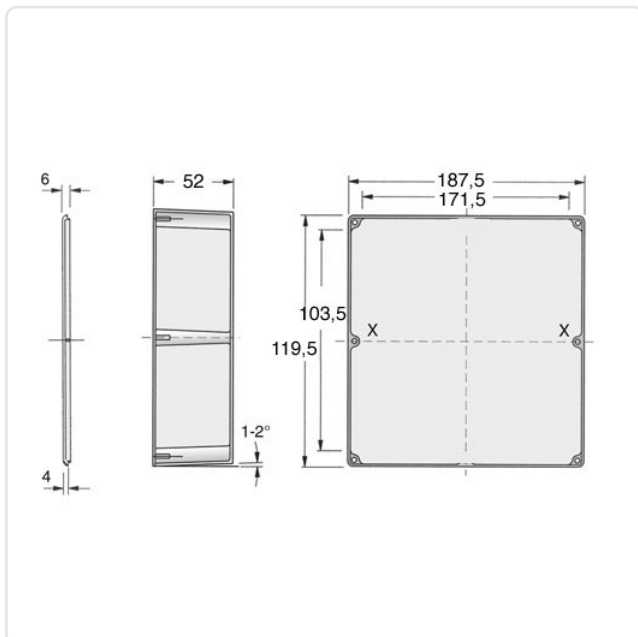


Image may be similar

Color: Black
Height [mm]: 52
Length [mm]: 187.5
Material: Aluminum
Material Group: Aluminum
Protection Code: IP54
Width [mm]: 119.5
Conformities:



You can find all information on the web on our article detail page



Would you like individual advice?

We look forward to your email to products@ettinger.de.

Subject to change and errors.