

Article datasheet

Fuse Holder-Panel Mount 5x20mm Screw Cap/Thermoplast/10A-250V

Article-No.: 015.08.565

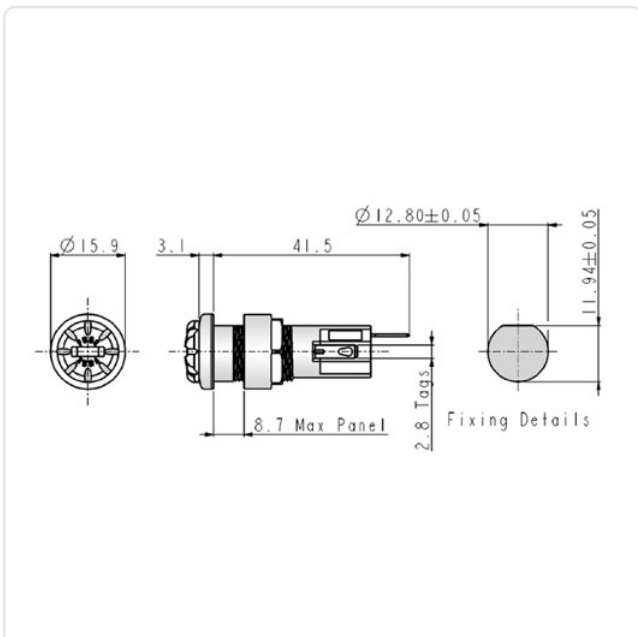


Image may be similar

Amperage [A]: 10
Fuse Size [mm]: 5.0x20.0
Material: Plastic
Model: Fuse Holder
Mounting Hole [mm]: 12.8
Protection Code: IP67
Conformities:



You can find all information on the web on our article detail page



Would you like individual advice?

We look forward to your email to products@ettinger.de.

Subject to change and errors.