

Article datasheet

Connection Washer Type C M5 Nickel-Plated Spring Steel

Article-No.: 003.31.513

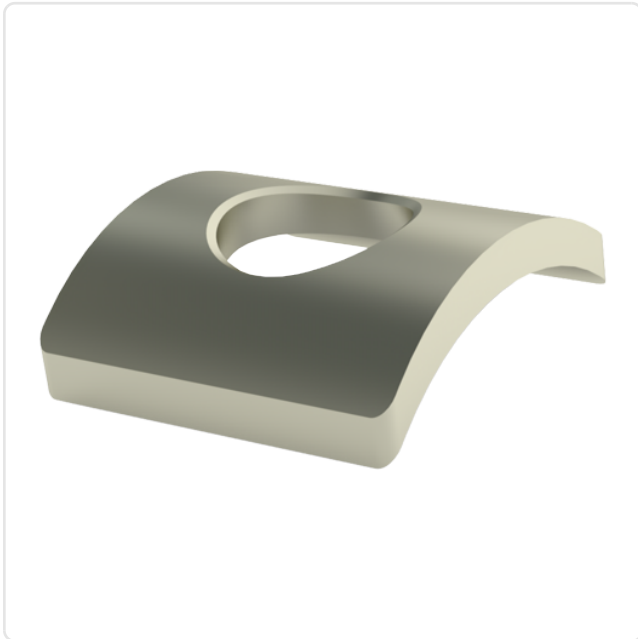
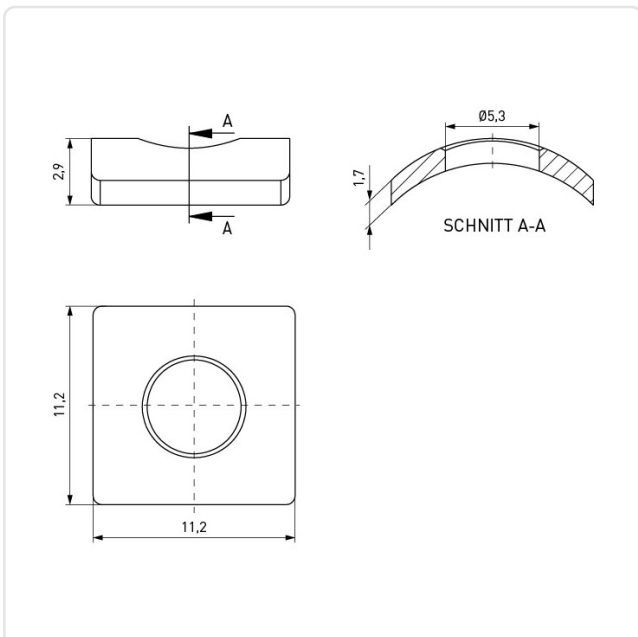


Image may be similar

Finish: Nickel-Plated, 3 µm, E1E
For Thread Size: M5
Height [mm]: 1.4
Inner Diameter [mm]: 5.3
Material: Spring Steel
Material Group: Steel
Weight: 1.1g
Conformities:



You can find all
information on the web on
our article detail page



Would you like individual advice?

We look forward to your email to products@ettinger.de.

Subject to change and errors.