

Article datasheet

Solderless Terminal M4-2.5mm² outer ø8mm Polyamid blue UL listed E329382

Article-No.: 018.34.546

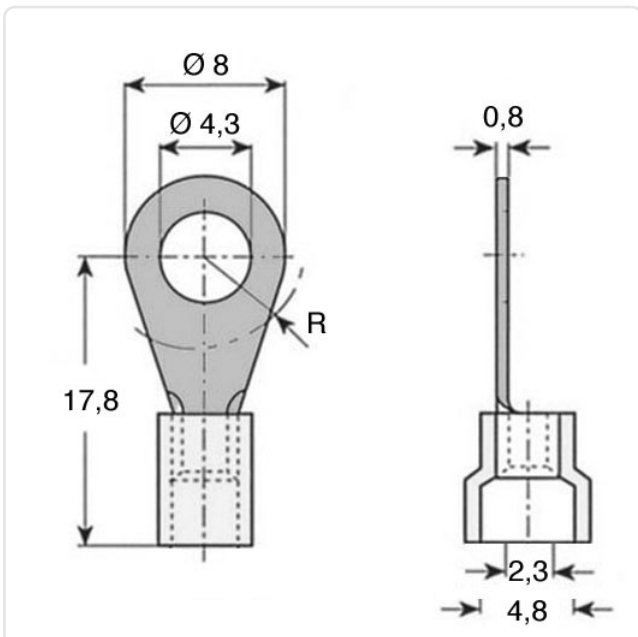


Image may be similar

Color:	Blue
DIN/ISO:	DIN46237-A
Finish:	Tin-Plated
For Thread Size:	M4
Insulation:	Polyamide
Material:	Electrolytic Copper
Outer Diameter [mm]:	8
Wire Cross Section [mm ²]:	1.5-2.5
Weight:	0.89g
Conformities:	



You can find all information on the web on our article detail page



Would you like individual advice?

We look forward to your email to products@ettinger.de.

Subject to change and errors.