

Article datasheet

Collapsible Handle 130x91x20mm Aluminium,silver

Article-No.: 029.01.080

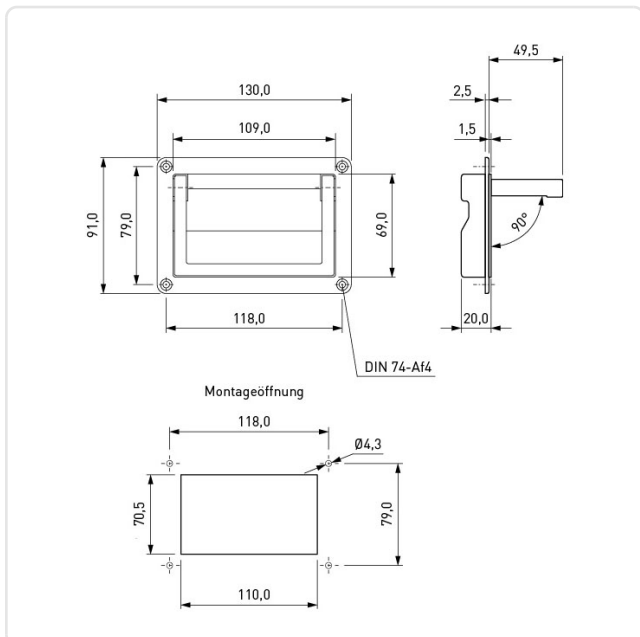


Image may be similar

Dist. Mounting Holes [mm]:	118
Height [mm]:	91
Material:	Aluminum ENAW-6060 / AlMgSi, lead-free
Material Group:	Aluminum
Model:	Collapsible Handle
Width [mm]:	130
Weight:	193.2g
Conformities:	<div style="display: flex; gap: 10px;"> <div style="border: 1px solid green; padding: 2px; font-size: 8px;">Reach COMPLIANT</div> <div style="border: 1px solid green; padding: 2px; font-size: 8px;">RoHS COMPLIANT</div> <div style="border: 1px solid green; padding: 2px; font-size: 8px;">SVHC COMPLIANT</div> </div>



You can find all information on the web on our article detail page



Would you like individual advice?

We look forward to your email to products@ettinger.de.

Subject to change and errors.