

Article datasheet

Cable terminal DIN 462344-2.5mm² Copper tinned without insulation

Article-No.: 018.64.645

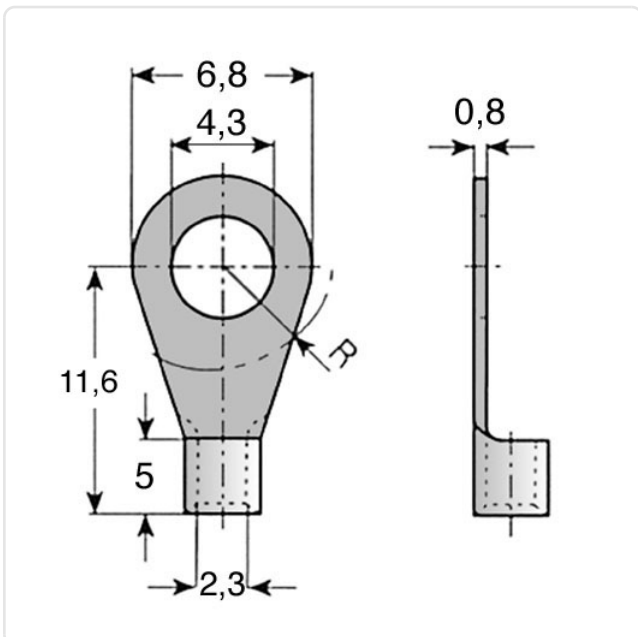


Image may be similar

DIN/ISO:	DIN46234-A
For Thread Size:	M4
Inside Dia.D1 [mm]:	2.3
Material:	Electrolytic Copper
Outer Diameter [mm]:	6.8
Wire Cross Section [mm ²]:	1.0-2.5
Weight:	0.62g
Conformities:	



You can find all information on the web on our article detail page



Would you like individual advice?

We look forward to your email to products@ettinger.de.

Subject to change and errors.