

Article datasheet

Handle Type UG 01 62/30/8x9mm M4 Aluminium black

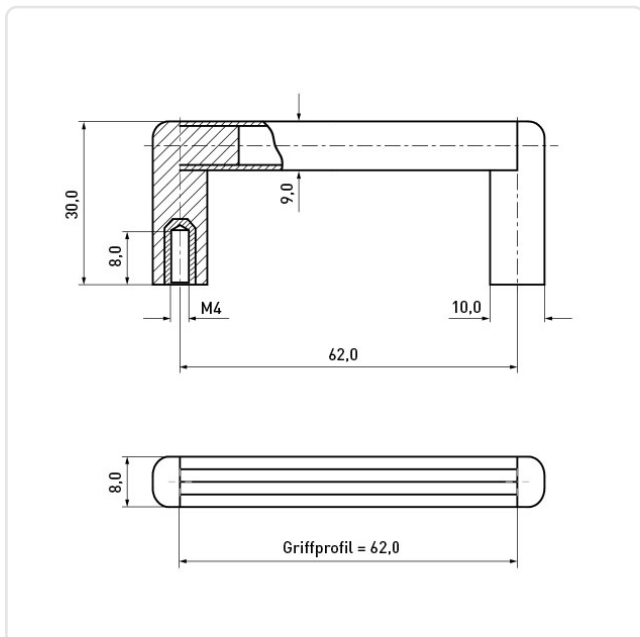
Article-No.: 029.13.220



Color:	Black
Dist. Mounting Holes [mm]:	62
Finish:	Anodized, Black
Height [mm]:	30
Material:	Aluminum ENAW-5754 / AlMg3, lead-free
Material Group:	Aluminum
Model:	Equipment Handle
Thread Size:	M4
Weight:	19.4g
Conformities:	



Image may be similar



You can find all information on the web on our article detail page

Would you like individual advice?

We look forward to your email to products@ettinger.de.

Subject to change and errors.