

Article datasheet

## Retaining Ring Ø9.0/18.5 x 1.4 POM black

Article-No.: 003.15.209

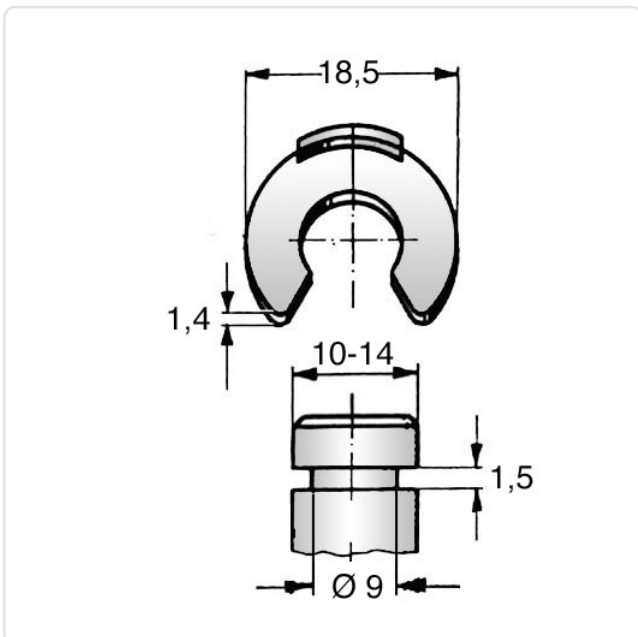


Image may be similar

Color: Black  
Height [mm]: 1.4  
Inner Diameter [mm]: 9  
Material: POM - Polyoxymethylene  
Material Group: Plastic  
Outer Diameter [mm]: 18.5  
Weight: 0.31g  
Conformities:



You can find all  
information on the web on  
our article detail page



Would you like individual advice?

We look forward to your email to [products@ettinger.de](mailto:products@ettinger.de).

Subject to change and errors.